



PARTS MANUAL
FOR
MVG 750 SERIES

Revision: 2
Date: 02/06/13

MARMON-HERRINGTON ALL-WHEEL DRIVE

13001 Magisterial Drive • Louisville, KY 40223
(502) 253-0277 • (800) 227-0727 • Fax (502) 253-0317
E-mail: info@marmon-herrington.com

TABLE OF CONTENTS

REPLACEMENT PARTS & WARRANTY CLAIM PROCEDURE	3
HOUSING MVG 750/R	4-5
HOUSING FRONT MVG 750/R	6-7
HOUSING REAR MVG 750/R	8-9
OIL PUMP MVG 750/R	10-11
POWER TAKE OFF MVG 750/R	12-13
INPUT SHAFT MVG 750/R	14-15
DOUBLE GEAR MVG 750/R	16-17
OUTPUT SHAFT MVG 750/R	18-19
OUTPUT SHAFT MVG 750PD	20-21
FLANGE MVG 750/R	22-23
HIGH, LOW GEAR SHIFTING MVG 750/R	24-25
AXLE ENGAGE MVG 750/R	26-27



MARMON-HERRINGTON ALL-WHEEL DRIVE
13001 Magisterial Drive • Louisville, KY 40223
(502) 253-0277 • (800) 227-0727 • Fax (502) 253-0317
E-mail: info@marmon-herrington.com

REPLACEMENT PARTS

When ordering replacement parts for **MARMON-HERRINGTON LOW FLOOR** conversions, the following information should be given:

1. **FACTORY ORDER NUMBER** (found on I.D. Plate or small plate affixed to axle housing). This will be a six (6) digit number. (See illustrations this page.)
2. Component for which parts are required, i.e. front drive axle or transfer case/drop box.
3. Model of axle and/or transfer case/drop box, i.e. MT10, MVG 750, MDB500.
4. Give quantity and part number required.
NOTE: Drive lines, shift linkage, etc., can be found on the computer print out of Bill of Material, which is included in the Service Manual.
5. Give complete billing and shipping address.

WARRANTY CLAIM PROCEDURE

Before proceeding with repairs or ordering parts that you feel may be covered under warranty, you must first contact Marmon-Herrington Customer Service Department and obtain a Repair Authorization Number.

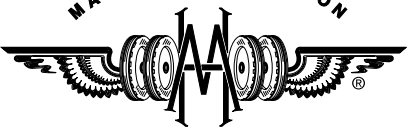
Please be prepared to supply all of the following information:

- **Factory Order Number** – This is located on an ID plate fixed to either the driver's door panel or the component (axle or transfer case) itself.
- **Model and Serial Number** (required) – Again located on the ID plate fixed to either the driver's door panel or the component itself.
- **Vehicle Year, Make and Model**
- **Vehicle Identification Number**
- **Mileage**
- **In Service Date**

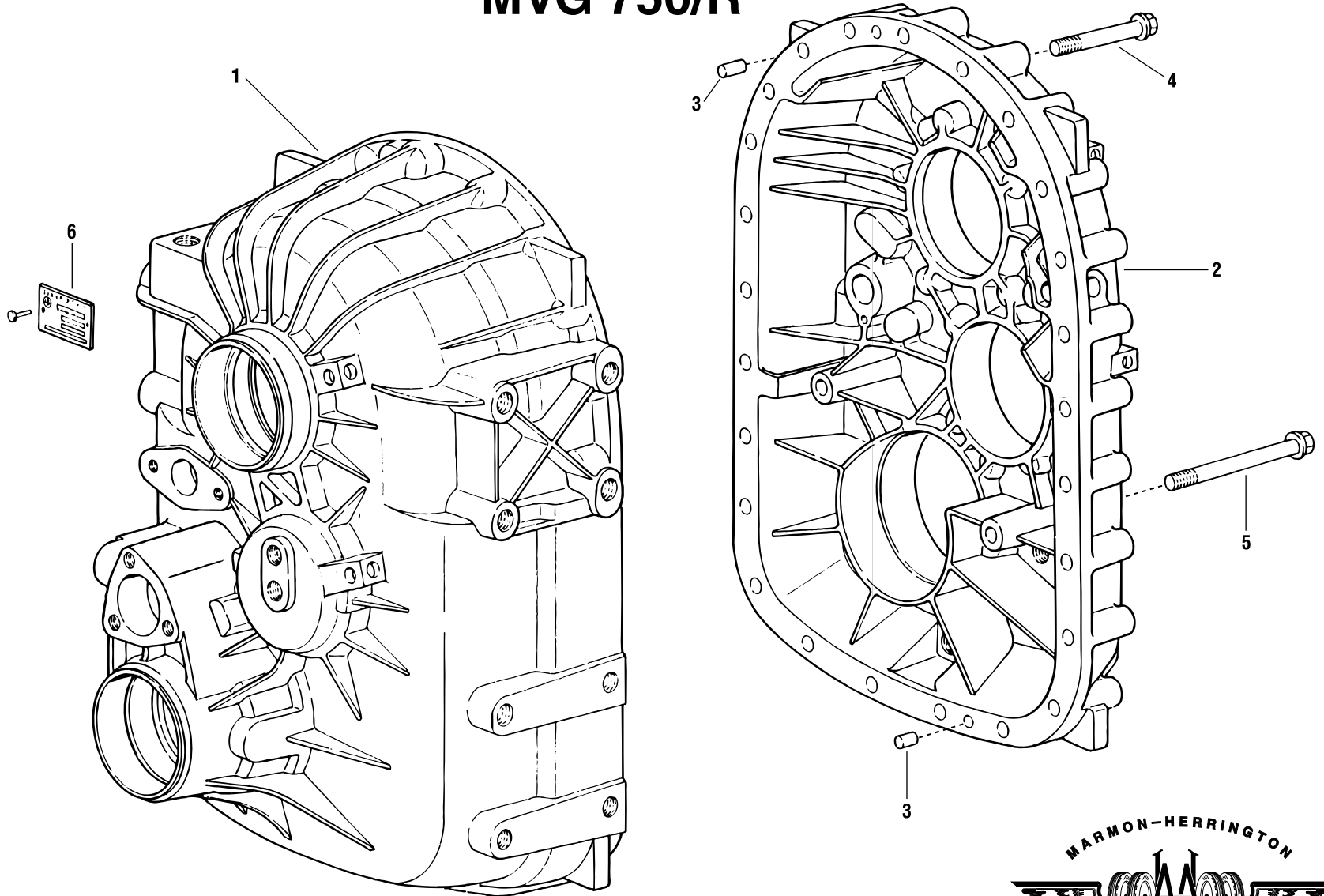
The information necessary for replacement parts and/or warranty claim procedures will be found on either plate design.

MARMON-HERRINGTON			
SALES ORDER	0000-00	RATIO	
S/N		TYPE	
CUST P/N			

MARMON-HERRINGTON			
SALES ORDER	0000-00		
S/N		TYPE	
CUST P/N			
COVERED BY ONE OR MORE OF THE FOLLOWING PATENTS: U.S. PATENTS 4,878,691; 4,934,733; 5,016,912; 5,275,430; 5,839,750; AND 6,398,251; AND CA PATENT 1,316,185. OTHER U.S. AND FOREIGN PATENTS PENDING.			

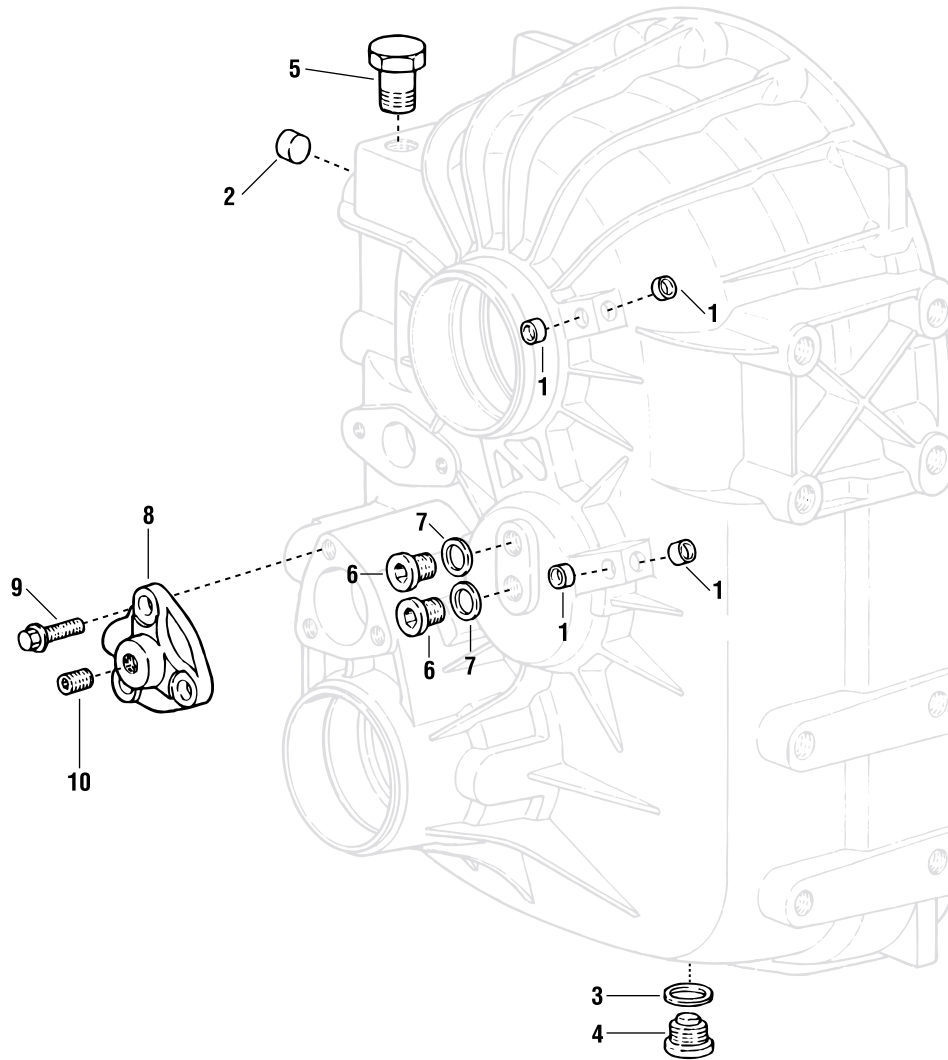
 <p>MARMON-HERRINGTON ALL-WHEEL DRIVE LOUISVILLE, KENTUCKY U.S.A.</p>	
FACTORY ORDER NO.	0000-00
INSTALLED BY	
FRONT DRIVING AXLE	
MODEL	
CAPACITY	
SERIAL NO.	
RATIO	
TRANSFER CASE	
MODEL	
SERIAL NO.	

HOUSING MVG 750/R



ITEM NO.	MH PART NO.	DESCRIPTION	QTY. REQ.	ITEM NO.	MH PART NO.	DESCRIPTION	QTY. REQ.
1	MVG75-1001	Housing Front	1				
2	MVG75-1002	Housing Rear	1				
3	MVG12-1006	Parallel Pin	2				
4	11500885	M10x80 Hexagon Head Bolt	25				
5	11504610	M10x12 Hexagon Head Bolt	2				
6		Plate	1				

HOUSING FRONT MVG 750/R



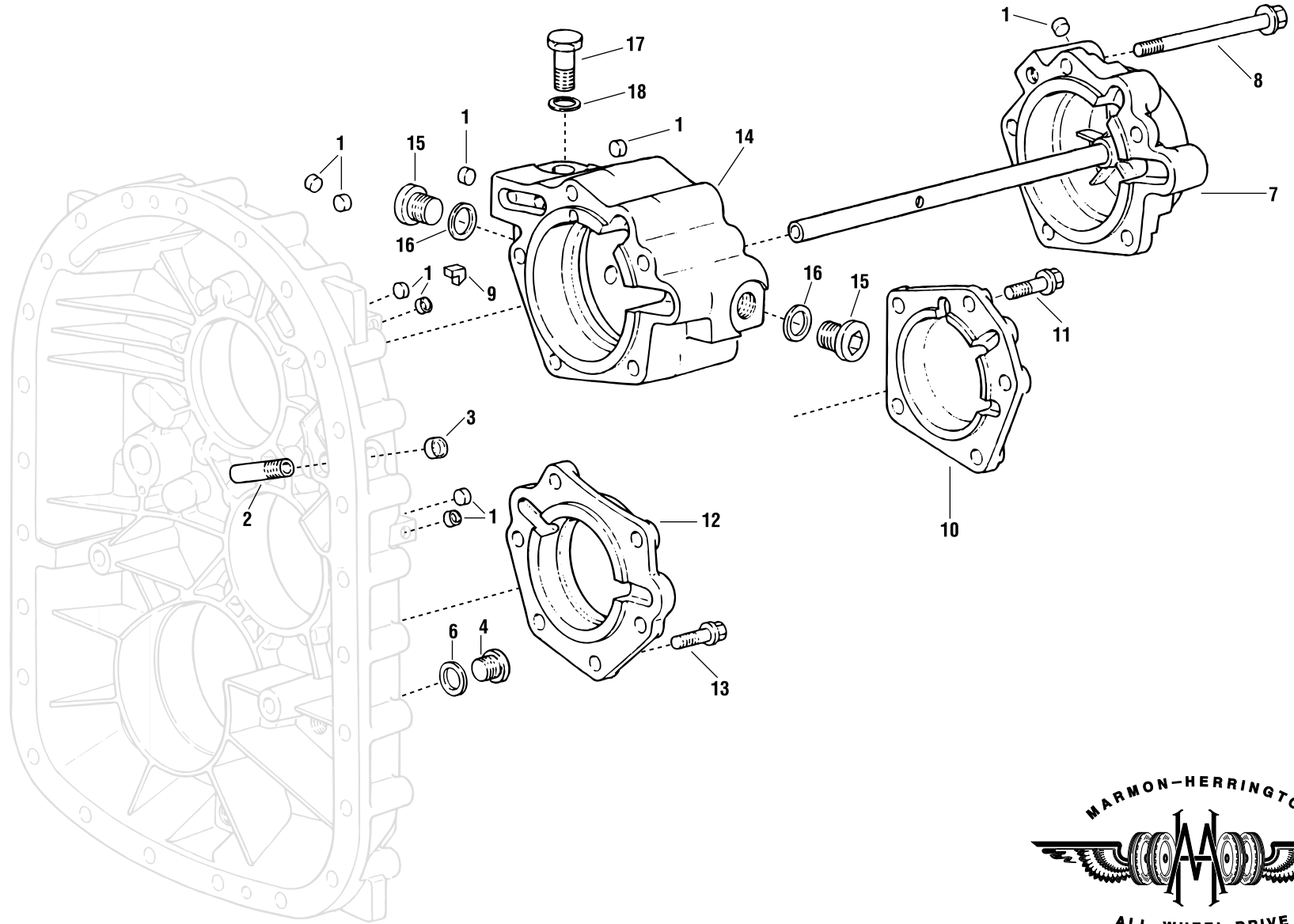
ITEM NO.	MH PART NO.	DESCRIPTION	QTY. REQ.	ITEM NO.	MH PART NO.	DESCRIPTION	QTY. REQ.
1	MVG75-1003	Core Hole Plug	4				
2	MVG75-1004	Core Hole Plug	1				
3	MVG12-1010	Sealing Ring	1				
4	MVG75-1005	Drain Plug	1				
5	MVG12-1020	Breather	1				
6	MVG75-1006	Screw Plug	2				
7	MVG75-1007	Sealing Ring	2				
8	MVG75-1008	Cover	1				
9	11500880	M10x35 Hexagon Head Bolt	3				
10	MVG75-1115	Threaded Pin	1				

MARMON-HERRINGTON ALL-WHEEL DRIVE
 13001 Magisterial Drive • Louisville, KY 40223
 (502) 253-0277 • (800) 227-0727 • Fax (502) 253-0317
 E-mail: info@marmon-herrington.com

HOUSING FRONT
MVG 750/R

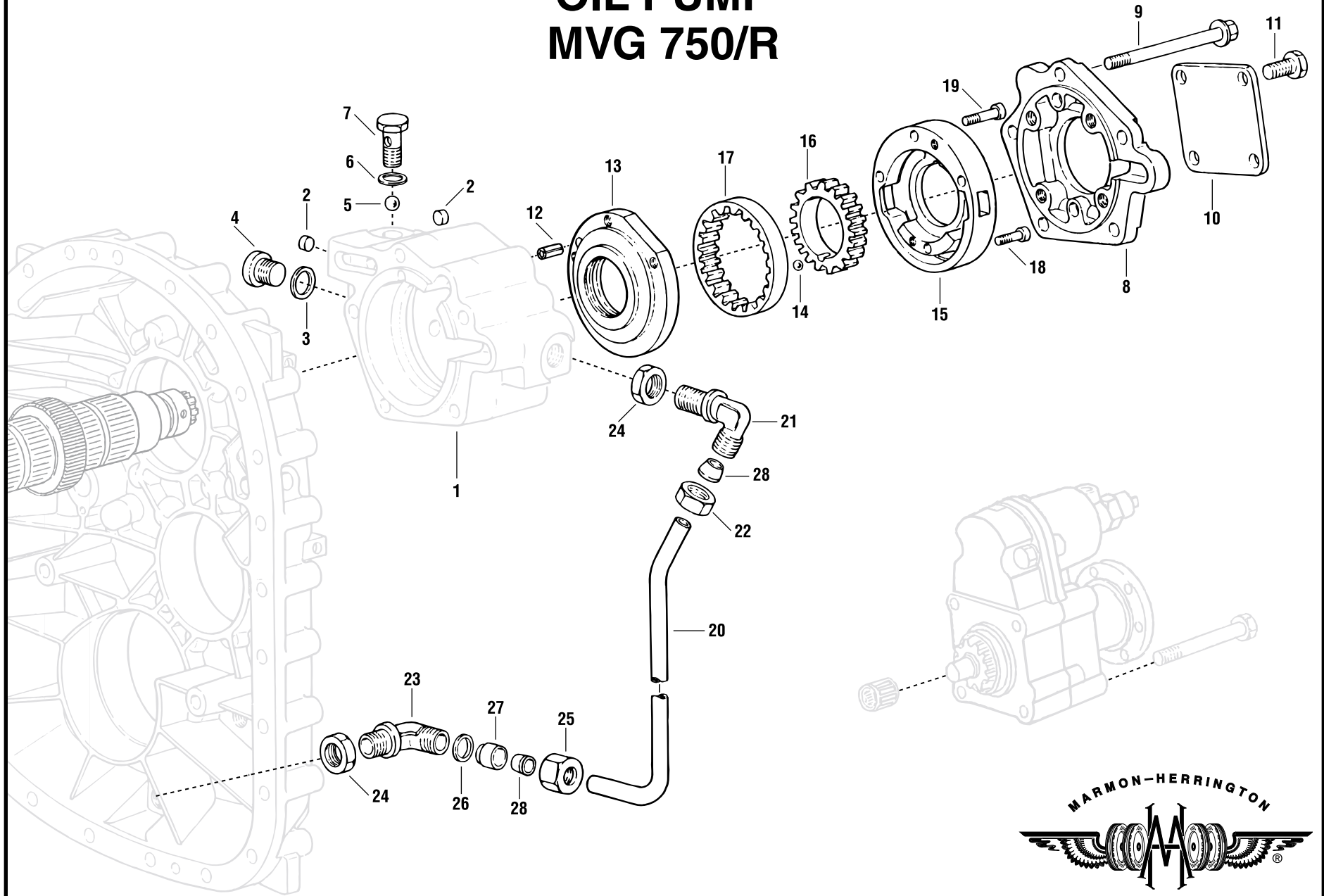


HOUSING REAR MVG 750/R



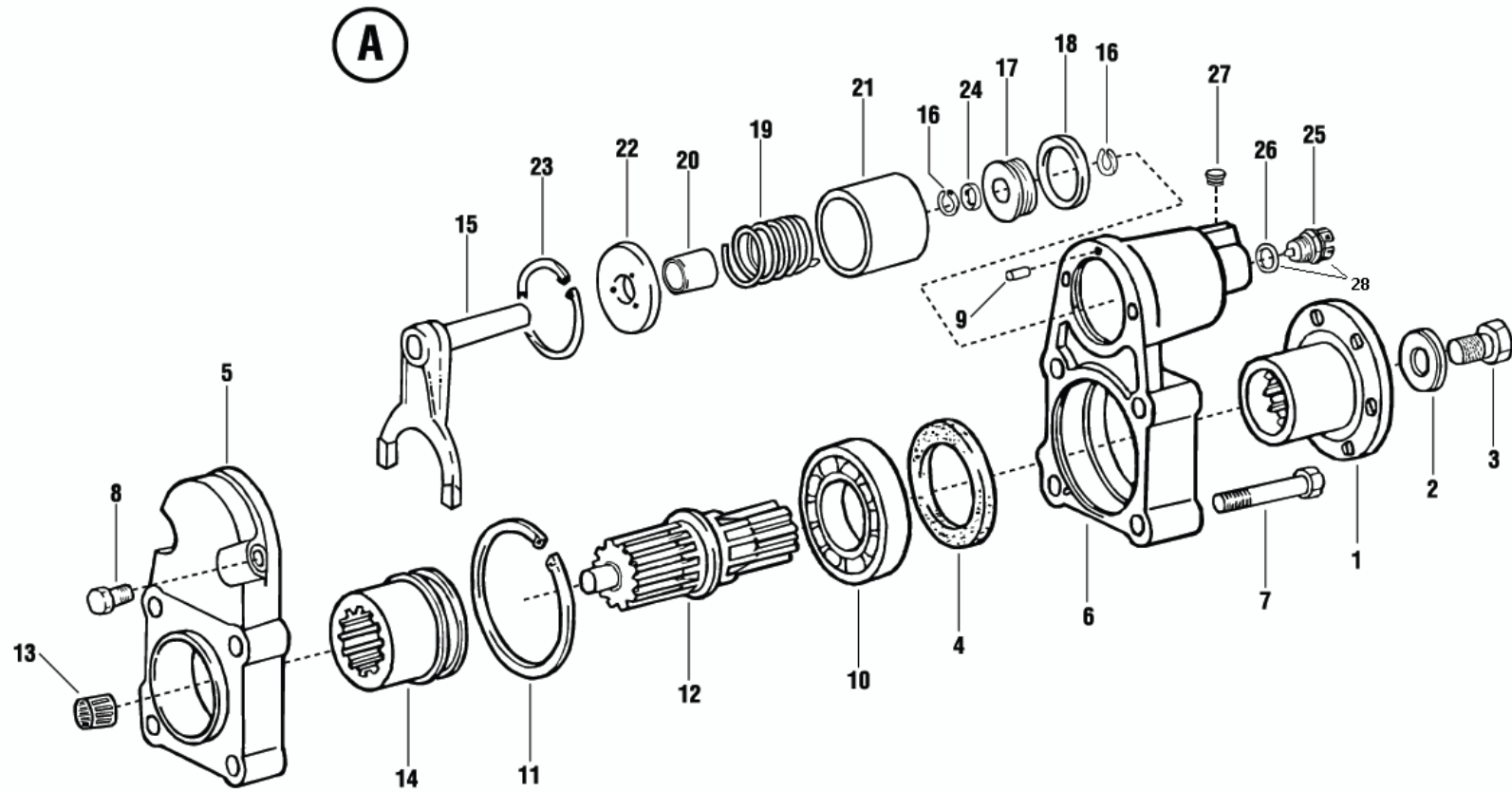
ITEM NO.	MH PART NO.	DESCRIPTION	QTY. REQ.	ITEM NO.	MH PART NO.	DESCRIPTION	QTY. REQ.
1	MVG75-1009	Core Hole Plug	7				
2	MVG75-1010	Oil Tube	1				
3	MVG75-1011	Core Hole Plug	1				
4	MVG75-1012	Fill Plug	1				
6	MVG12-1010	Sealing Ring	1				
7	MVG75-1014	Closing Cover	1				
8	11504610	M10x125 Hexagon Head Bolt	5				
9	MVG75-1015	Key	1				
10	MVG75-1016	Bearing Cover	1				
11	11500878	M10x35 Hexagon Head Bolt	5				
12	MVG75-1018	Bearing Cover	1				
13	11500878	M10x35 Hexagon Head Bolt	6				
14	MVG75-1020	Bearing Housing	1				
15	MVG75-10FG	Plug	2				
16	MVG75-1022	Sealing Ring	2				
17	MVG75-1023	Hexagon Head Screw	1				
18	MVG75-1024	Sealing Ring	1				

OIL PUMP MVG 750/R



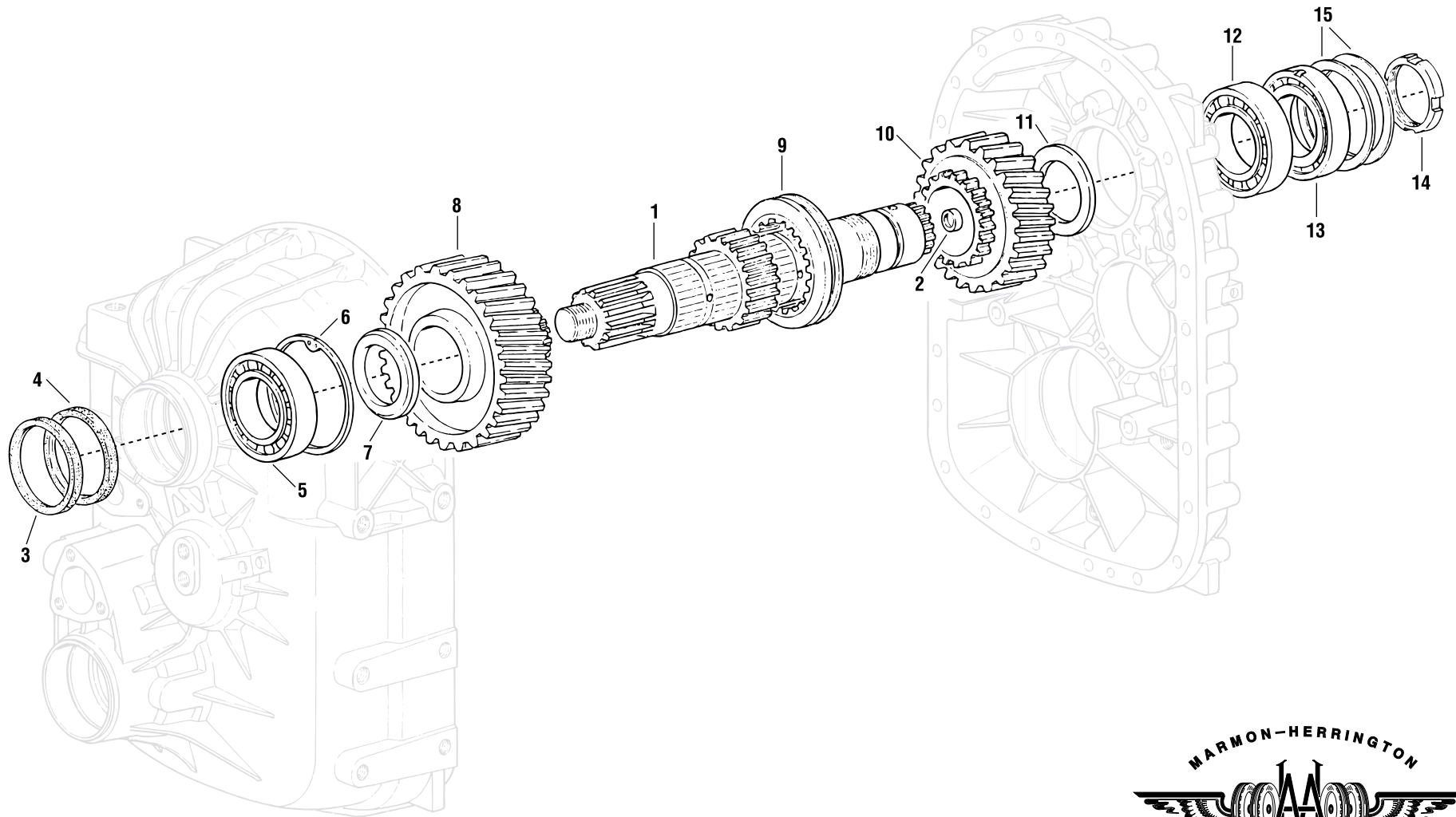
ITEM NO.	MH PART NO.	DESCRIPTION	QTY. REQ.	ITEM NO.	MH PART NO.	DESCRIPTION	QTY. REQ.
1	MVG75-1020	Bearing Ring	1				
2	MVG75-1009	Core Hole Plug	2				
3	MVG75-1022	Sealing Ring	1				
4	MVG75-1028	Screw Plug	1				
5	MVG75-1019	Ball 10.mm	1				
6	MVG75-1128	Sealing Ring	1				
7	MVG75-1030	Hollow Screw	1				
8	MVG75-1031	Cover	1				
9	11504610	M10x125 Hex Head Screw	5				
10	MVG75-1032	Cover	1				
11	11500888	M12x16 Hex Head Screw	4				
12	MVG75-1033	Spring Ring	1				
13	MVG75-1034	Oil Pump Cover	1				
14	MVG12-1069	Ball 6.mm	1				
15	MVG75-1035	Oil Pump Housing	1				
16	MVG12-1068	Oil Pump Gear	1				
17	MVG12-1067	Oil Pump Gear Crown	1				
18	11503857	M6x30 Cylindrical Screw	2				
19	11503858	M6x35 Cylindrical Screw	2				
20	MVG75-1036	Suction Pipe	1				
21	MVG75-1037	Elbow	1				
22	MVG75-1038	Union Nut	1				
23	MVG75-1039	Elbow	1				
24	MVG75-1040	Hex Nut	2				
25	MVG75-1041	Union Nut	1				
26	MVG75-1042	Sealing Ring	1				
27	MVG75-1043	Pressure Ring	1				
28	MVG75-1044	Cutting Ring	2				

POWER TAKE OFF MVG 750/R



ITEM NO.	MH PART NO.	DESCRIPTION	QTY. REQ.	ITEM NO.	MH PART NO.	DESCRIPTION	QTY. REQ.
A	MT75-7749	P.T.O. Assembly					
1	MVG12-1153	Flange, 1410	1				
2	MVG12-1163	Washer	1				
3	11500731	M12x35 Bolt	1				
4	MVG12-1152	Oil Seal	1				
5	MVG12-1151	Housing, Front	1				
6	MVG12-1150	Housing, Rear	1				
7	11500796	M12x100 Bolt	4				
8	11500713	M8x20 Bolt	2				
9	MVG12-1154	Pin	2				
10	MVG12-1155	Bearing, Shaft	1				
11	MVG12-1156	Snap Ring	1				
12	MVG12-1157	Output Shaft	1				
13	MVG12-1158	Needle Bearing, Caged	1				
14	MVG12-1159	Shifting Sleeve	1				
15	MVG12-1160	Shifting Fork	1				
16	MVG12-1001	Snap Ring	2				
17	MVG12-1037	Piston	1				
18	MVG12-1038	Gasket	1				
19	MVG12-1033	Spring	1				
20	MVG12-1032	Distance Sleeve	1				
21	MVG12-1034	Bushing	1				
22	MVG12-1031	Washer	1				
23	MVG12-1161	Snap Ring	1				
24	MVG12-1036	O-Ring	1				
25	MVG75-1127	Pressure Switch	1				
26	MVG12-1040	Gasket	1				
27	MVG12-1162	Plug	1				
28	MVG12-1241	Switch and Washer Kit	1				

INPUT SHAFT MVG 750/R

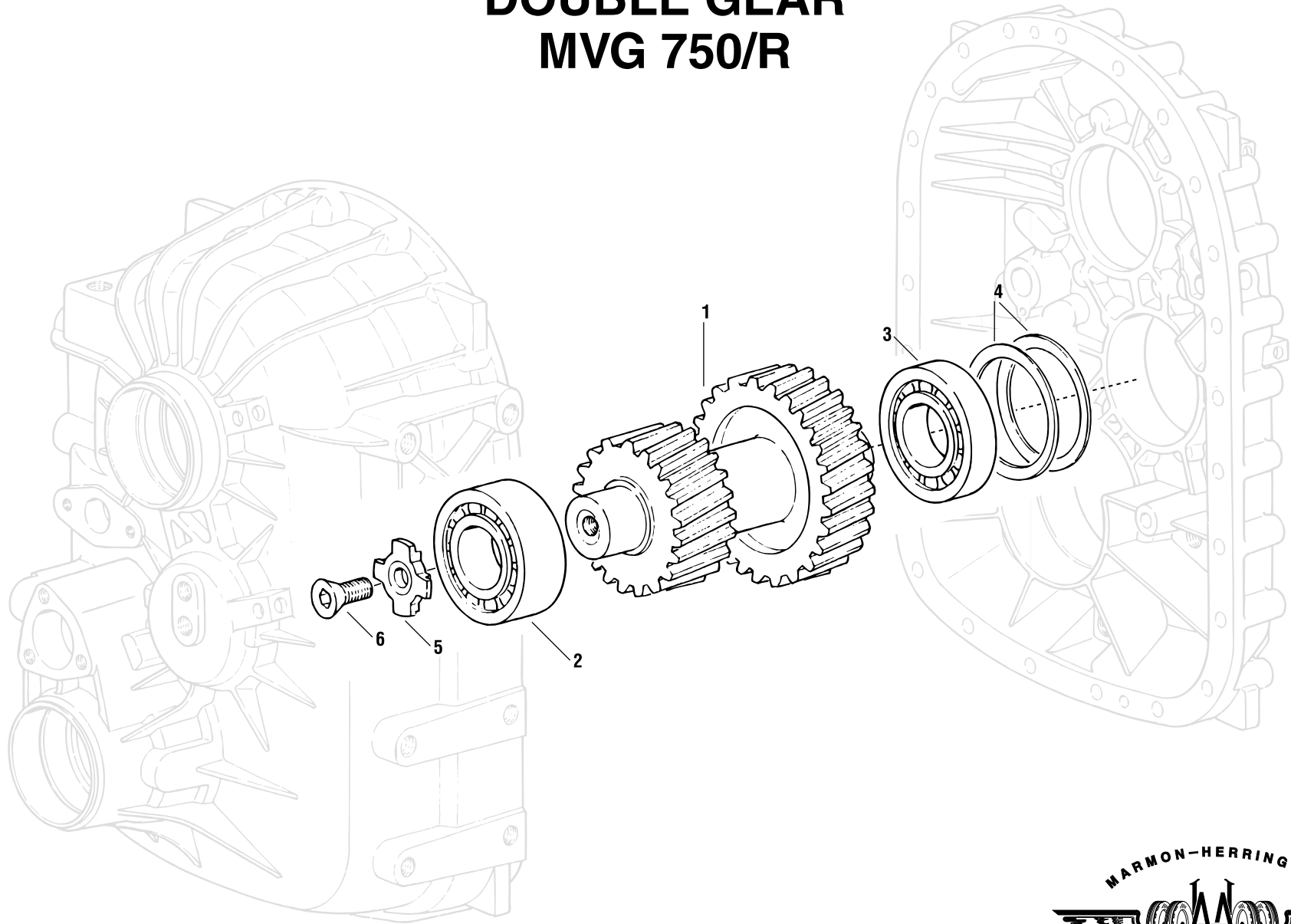


ITEM NO.	MH PART NO.	DESCRIPTION	QTY. REQ.	ITEM NO.	MH PART NO.	DESCRIPTION	QTY. REQ.
1	MVG75-1046	Input Shaft	1				
2	MVG75-1047	Baffle Washer	1				
3	MVG75-1048	Oil Seal	1				
4	MVG75-1049	Oil Seal	1				
5	MVG75-1050	Roller Bearing	1				
6	MVG75-1051	Retaining Ring	1				
7	MVG75-1052	Thrust Washer	1				
8	MVG75-1053	Drive Gear	1				
9	MVG75-1054	Shifting Sleeve	1				
10	MVG75-1055	Drive Gear	1				
11	MVG75-1056	Thrust Washer	1				
12	MVG75-1050	Roller Bearing	1				
13	MVG75-1058	Angular Ball Bearing	1				
14	MVG75-1059	Plain Nut	1				
15	MVG12-1017A	Shim .10mm	AR				
	MVG12-1017B	Shim .20mm	AR				
	MVG12-1017C	Shim .50mm	AR				
	MVG12-1017D	Shim .15mm	AR				
		AR = As Required					

**INPUT SHAFT
 MVG 750/R**



DOUBLE GEAR MVG 750/R

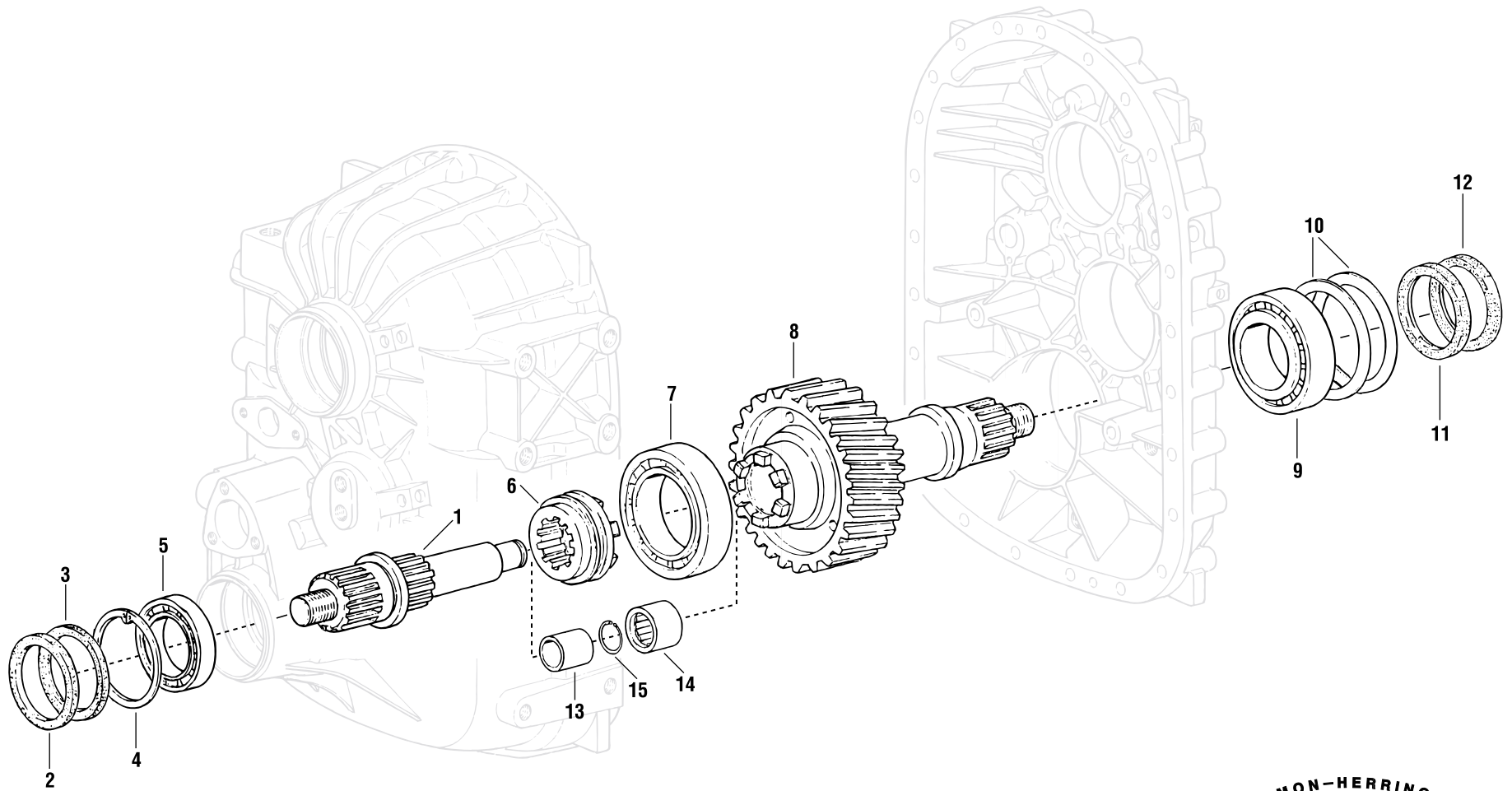


ITEM NO.	MH PART NO.	DESCRIPTION	QTY. REQ.	ITEM NO.	MH PART NO.	DESCRIPTION	QTY. REQ.
1	MVG75-1061	Double Gear	1				
2	MVG12-1073	Roller Bearing	1				
3	MVG12-1074	Roller Bearing	1				
4	MVG12-1017A	Shim .10mm	AR				
	MVG12-1017B	Shim .20mm	AR				
	MVG12-1017C	Shim .50mm	AR				
	MVG12-1017D	Shim .15mm	AR				
5	MVG75-1065	Impulse Wheel	1				
6	MVG75-1066	Countersunk Screw	1				
		AR = As Required					

DOUBLE GEAR
MVG 750/R



OUTPUT SHAFT MVG 750/R



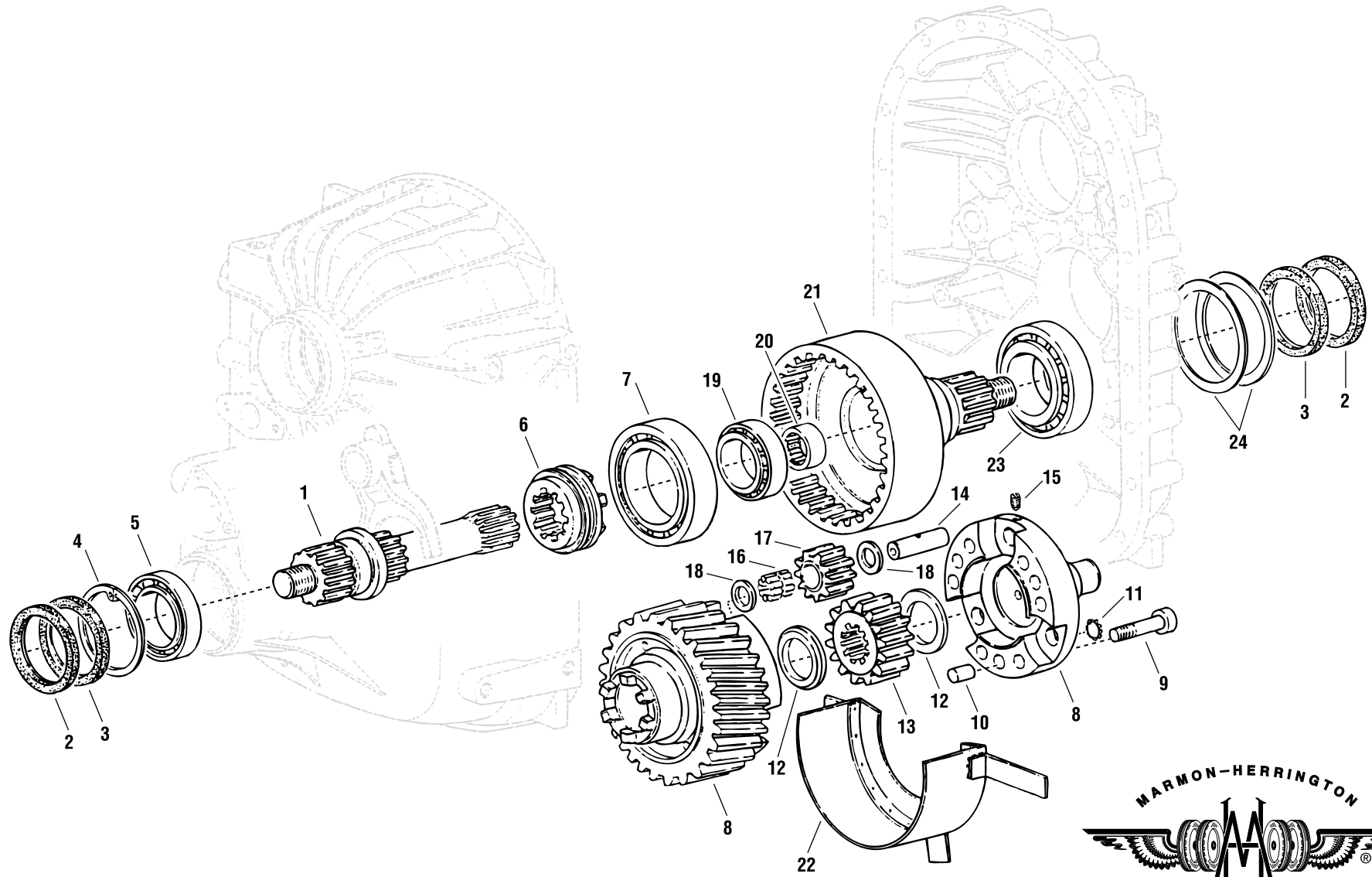
ITEM NO.	MH PART NO.	DESCRIPTION	QTY. REQ.	ITEM NO.	MH PART NO.	DESCRIPTION	QTY. REQ.
1	MVG75-1078	Front, Output Shaft	1				
2	MVG75-1048	Oil Seal Outer	1				
3	MVG75-1049	Oil Seal Inner	1				
4	MVG75-1070	Retaining Ring	1				
5	MVG75-1071	Ball Bearing	1				
6	MVG75-1072	Shifting Sleeve	1				
7	MVG75-1073	Roller Bearing	1				
8	MVG75-1079	Rear, Output Shaft	1				
9	MVG75-1075	Roller Bearing	1				
10	MVG20-1046A	Shim .60mm	AR				
	MVG20-1046B	Shim .80mm	AR				
	MVG20-1046C	Shim 1.0mm	AR				
	MVG12-1064A	Shim .10mm	AR				
	MVG12-1064B	Shim .20mm	AR				
	MVG12-1064C	Shim .40mm	AR				
	MVG12-1064D	Shim .15mm	AR				
11	MVG75-1049	Oil Seal Inner	1				
12	MVG75-1048	Oil Seal Outer	1				
13	MVG75-1080	Inside Ring	1				
14	MVG75-1081	Needle Sleeve	1				
15	MVG75-1082	Retaining Ring	1				
		AR = As Required					

MARMON-HERRINGTON ALL-WHEEL DRIVE
 13001 Magisterial Drive • Louisville, KY 40223
 (502) 253-0277 • (800) 227-0727 • Fax (502) 253-0317
 E-mail: info@marmon-herrington.com

OUTPUT SHAFT MVG 750/R

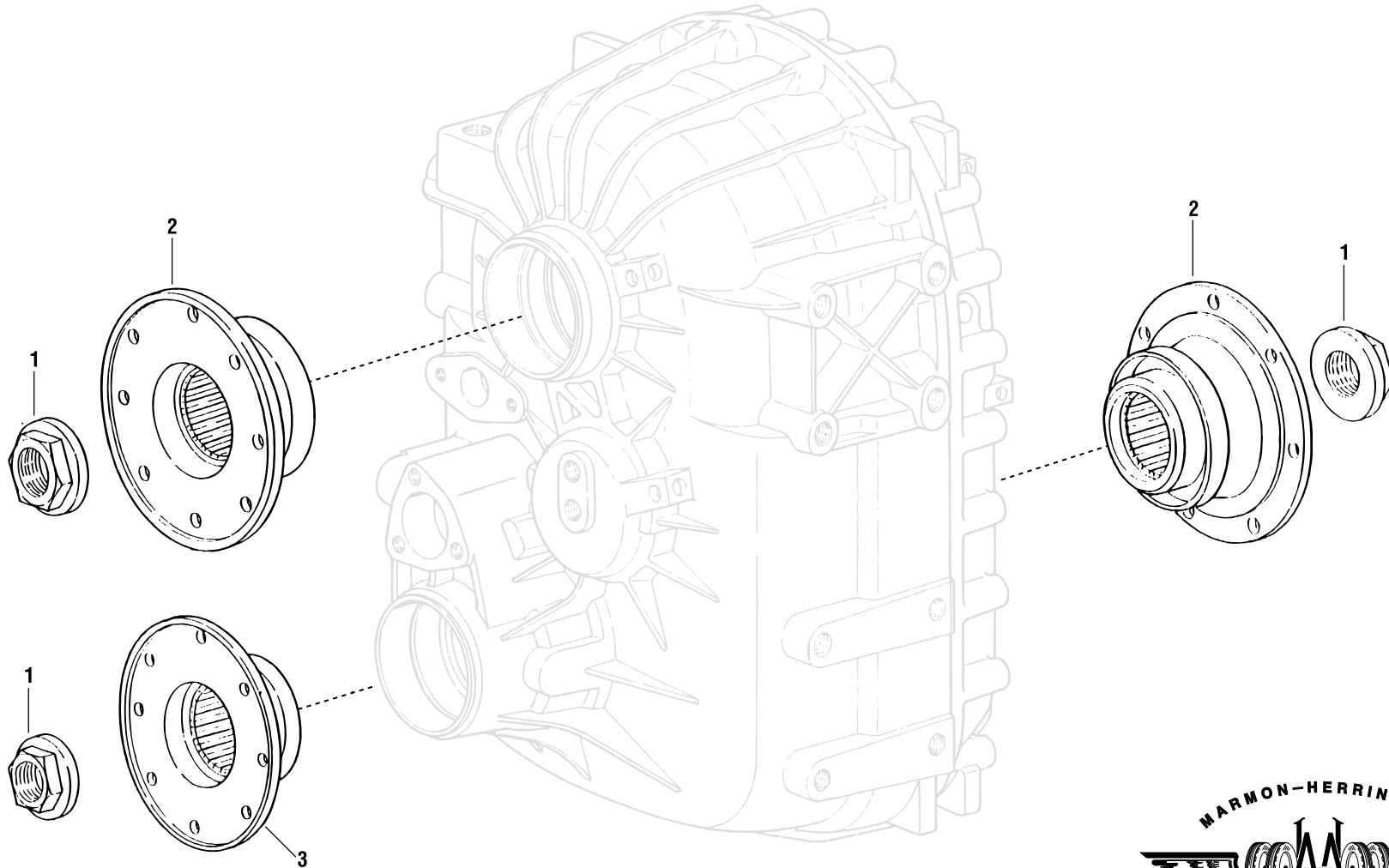


OUTPUT SHAFT MVG 750PD



ITEM NO.	MH PART NO.	DESCRIPTION	QTY. REQ.	ITEM NO.	MH PART NO.	DESCRIPTION	QTY. REQ.
1	MVG75-1216	Front, Output Shaft	1				
2	MVG75-1048	Oil Seal Outer	2				
3	MVG75-1049	Oil Seal Inner	2				
4	MVG75-1070	Retaining Ring	1				
5	MVG75-1071	Ball Bearing	1				
6	MVG75-1072	Shifting Sleeve	1				
7	MVG75-1073	Roller Bearing	1				
8	MVG75-1201	Planetary Carrier C	1				
9	MVG75-1202	Cylindrical Screw	6				
10	MVG75-1203	Cylinder Roller	3				
11	MVG75-1204	Lock Washer	3				
12	MVG75-1205	Thrust Washer	2				
13	MVG75-1206	Sun Gear	1				
14	MVG75-1207	Planetary Bolt	3				
15	MVG75-1208	Dowel Pin	3				
16	MVG75-1209	Needle Roller Bearing	1				
17	MVG75-1210	Planetary Gear	3				
18	MVG75-1211	Washer	6				
19	MVG75-1212	Roller Bearing	1				
20	MVG75-1213	Needle Bearing	1				
21	MVG75-1214	Rear, Output Shaft	1				
22	MVG75-1215	Oil Shield	1				
23	MVG75-1075	Roller Bearing	1				
24	MVG20-1046A	Shim .60mm	AR				
	MVG20-1046B	Shim .80mm	AR				
	MVG20-1046C	Shim 1.0mm	AR				
	MVG12-1064A	Shim .10mm	AR				
	MVG12-1064B	Shim .20mm	AR				
	MVG12-1064C	Shim .40mm	AR				
	MVG12-1064D	Shim .15mm	AR				
		AR = As Required					

FLANGE MVG 750/R



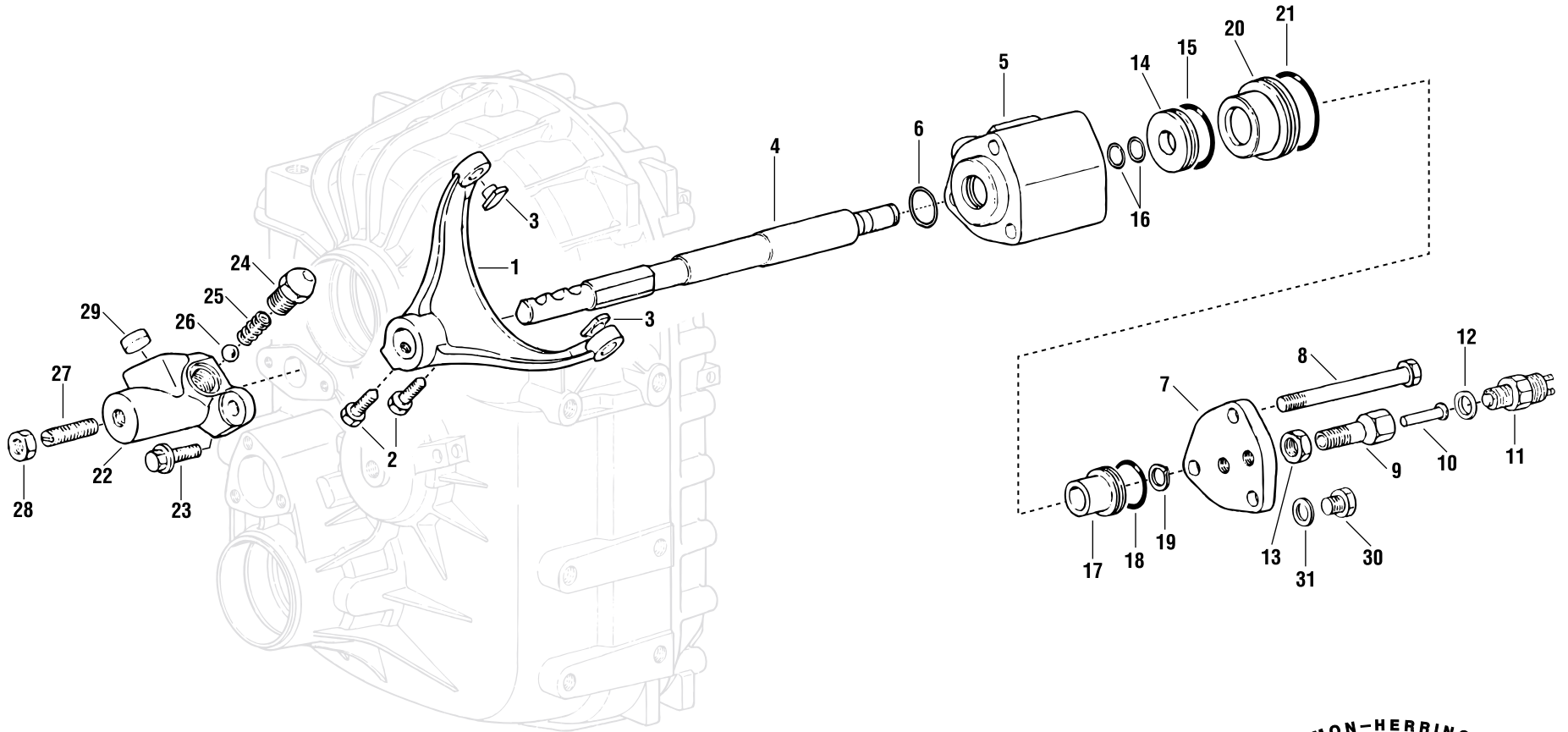
ITEM NO.	MH PART NO.	DESCRIPTION	QTY. REQ.	ITEM NO.	MH PART NO.	DESCRIPTION	QTY. REQ.
1	MVG12-1057	Collar Nut	3				
2	MT93-1363	Flange 1710 Input and Output	2				
	MVG75-1084	Flange 1610 Input and Output	2				
3	MT93-1324	Flange 1610 Foward Output	1				

MARMON-HERRINGTON ALL-WHEEL DRIVE
 13001 Magisterial Drive • Louisville, KY 40223
 (502) 253-0277 • (800) 227-0727 • Fax (502) 253-0317
 E-mail: info@marmon-herrington.com

**FLANGE
 MVG 750/R**

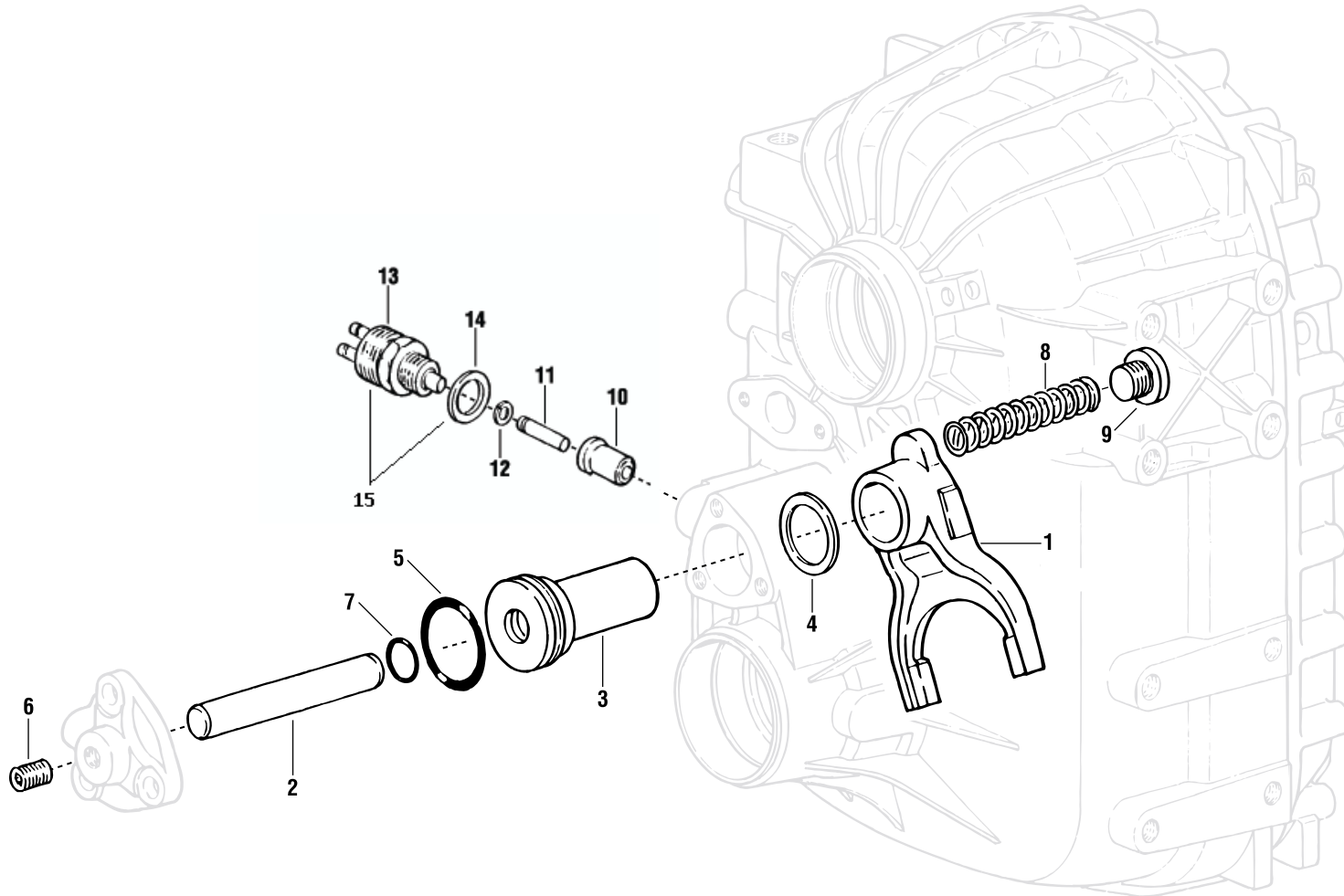


HIGH, LOW GEAR SHIFTING MVG 750/R



ITEM NO.	MH PART NO.	DESCRIPTION	QTY. REQ.	ITEM NO.	MH PART NO.	DESCRIPTION	QTY. REQ.
1	MVG75-1085	Shifting Fork	1				
2	MVG75-1086	Screw	2				
3	MVG12-1095	Slider	2				
4	MVG75-1087	Shifting Rod	1				
5	MVG75-1088	Shifting Cylinder	1				
6	MVG75-1089	Sealing Ring	1				
7	MVG75-1090	Cover	1				
8	11500901	M12x120 Hex Head Screw	3				
9	MVG75-1091	Adjusting Screw	1				
10	MVG20-1091	Pin	1				
11	MVG75-1096	Pressure Switch	1				
12	MVG12-1040	Sealing Ring	1				
13	MVG75-1092	Hex Nut	1				
14	MVG75-1095	Piston	1				
15	MVG75-1093	Sealing Ring	1				
16	MVG12-1036	Sealing Ring	2				
17	MVG75-1097	Piston	1				
18	MVG12-1048	Sealing Ring	1				
19	MVG12-1001	Retaining Ring	1				
20	MVG75-1130	Piston	1				
21	MVG75-1131	Sealing Ring	1				
22	MVG75-1098	Flange Housing	1				
23	11500878	M10x35 Hex Head Screw	2				
24	MVG75-1099	Locking Ball	1				
25	MVG75-1100	Snap Ring	1				
26	MVG75-1101	Ball	1				
27	MVG75-1102	Threaded Pin	1				
28	MVG75-1103	Hex Nut	1				
29	MVG75-1104	Core Hole Plug	1				
30	MVG12-1121	Screw Plug	1				
31	MVG12-1122	Sealing Ring	1				

AXLE ENGAGE MVG 750/R



ITEM NO.	MH PART NO.	DESCRIPTION	QTY. REQ.	ITEM NO.	MH PART NO.	DESCRIPTION	QTY. REQ.
1	MVG75-1107	Shift Fork	1				
2	MVG75-1108	Piston Rod	1				
3	MVG75-1109	Piston	1				
4	MVG75-1110A	30 x42 .10mm Shim	AR				
	MVG75-1110B	30 x42 .20mm Shim	AR				
	MVG75-1110C	30 x42 .50mm Shim	AR				
	MVG75-1110D	30 x42 1.0mm Shim	AR				
5	MVG75-1114	Sealing Ring	1				
6	MVG75-1115	Threaded Pin	1				
7	MVG75-1116	Sealing Ring	1				
8	MVG75-1117	Pressure Spring	1				
9	MVG75-1118	Screw Plug	1				
10	MVG75-1119	Bushing	1				
11	MVG75-1120	Pin	1				
12	MVG12-1125	Retaining Ring	1				
13	MVG75-1127	Pressure Switch	1				
14	MVG12-1040	Sealing Ring	1				
15	MVG12-1241	Switch and Washer Kit	1				
		AR = As Required					