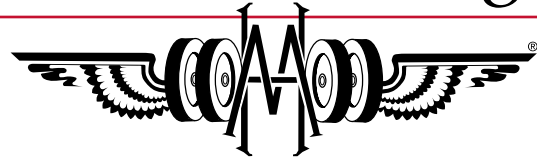


Marmon-Herrington



RF17N/H Series **Parts Manual**

TABLE OF CONTENTS

FORWARD

WARRANTY POLICY AND PROCEDURE 3-5

RF17N/H REAR AXLE

DIFFERENTIAL CARRIER HOUSING RF17N/H 6-7

TANDEM DIFFERENTIAL RF17N/H 8-9

OIL PUMP RF17N/H 10-11

DIFFERENTIAL LOCK AIR CHAMBER RF17N/H 12-13

AXLE HOUSING & AXLE SHAFT RF17N/H 14-15

PLANETARY RF17N/H 16-17

WHEEL HUB, BRAKE DRUM RF17N/H 18-19

BRAKE RF17N/H 20-21

Marmon-Herrington



13001 Magisterial Drive • Louisville, KY 40223
(502) 253-0277 • (800) 227-0727 • Fax (502) 253-0317
E-mail: info@marmon-herrington.com
www.marmon-herrington.com

FORWARD

GENERAL

This manual has been prepared for operators and service personnel working with the Marmon-Herrington series of transfer cases and front drive axles. For further technical assistance, please contact Marmon-Herrington Customer Service.

Please observe and follow all procedural and maintenance guidelines to ensure reliable operation and optimum service life. The Marmon-Herrington basic service schedule will integrate seamlessly with most preventative maintenance programs.

Marmon-Herrington shall not be liable for component failures or damages caused by operational abuse or neglect. Please review the Warranty Statement for a detailed explanation of coverage and claim reporting procedures.

We thank you for your investment in Marmon-Herrington equipment, and look forward to serving your needs in the best tradition of engineering excellence.

MISCELLANEOUS ISSUES

Marmon-Herrington equipped vehicles are designed for “as needed” AWD operation only, in off-road conditions.

Due to issues associated with torque, drive line wind-up and ratio mis-match, Marmon-Herrington axles and transfer cases must never be operated in AWD mode or while engaged on hard, dry surfaces.

Owner/Operators should seek expert assistance when considering alternative gear ratios and/or tire sizes.

Marmon-Herrington Axles and Transfer Cases should only be shifted when at a full stop. “Shifting on the Fly” or shifting while in motion are prohibited modes of operation. This applies to front axle engagement, high and low transfer case ranges, and locking differentials. The only exceptions are those vehicles equipped with Marmon-Herrington’s **SAFE-T-SHIFT system**.

SAFE-T-SHIFT

In 2003, Marmon-Herrington developed an electronic management system to help prevent “shift on the fly” damage. It consists of a microprocessor that receives speed information from a remote sensor in the transfer case. The system is calibrated to activate the shift solenoids at the first detection of motion, and then cancel control functions at 4 mph.

Relative rotation speeds of the gear sets may require that the vehicle be rolled a few feet before the shift will complete.

Axle and transfer case shifting can generally be heard and felt inside the cab. Indicator lights on the dash will also illuminate when the shift is complete. **DO NOT ACCELERATE UNTIL APPROPRIATE POSITION IS INDICATED ON DASH LIGHT OR CONTROL SWITCH.**

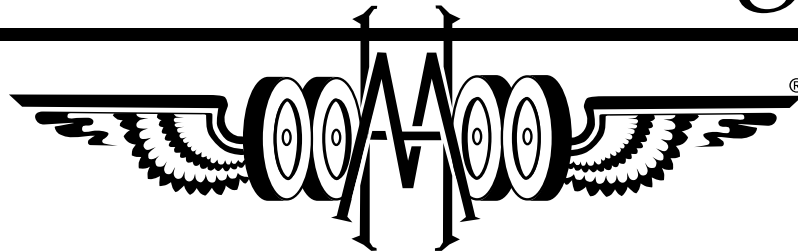
Shift Procedure

1. With the vehicle at a complete stop, select the desired range or front axle position.
2. Place the main transmission in gear.
3. Allow the vehicle to idle forward (or backwards) at walking speed until shift is completed.
4. Verify proper position indication.
5. Accelerate normally.

In the case of a manual transmission, ease the clutch out in low gear, allowing the vehicle to “walk” until shift is completed.

Some possible exclusions to the Safe-T-Shift program are those vehicles fitted with a transfer case mounted PTO, OEM factory installations, and any with non-Marmon-Herrington transfer cases.

Marmon-Herrington



MARMON-HERRINGTON WARRANTY

This is to certify that we, Marmon-Herrington Company, Louisville, Kentucky, warrant each new chassis remanufactured, or assembly or part furnished for the remanufacture of a truck chassis against defects in material and workmanship under normal use and service. Marmon-Herrington's obligation under this warranty is limited to replacement of, at our factory, any part or parts thereof which shall, within one (1) year after delivery of such vehicle to the final user after installation of the all-wheel drive installation kit, be returned to us with transportation charges prepaid, and which our examination shall disclose to our satisfaction to have been thus defective.

Marmon-Herrington will warrant covered components against defects in material and workmanship under normal use and service for the specified period. This warranty includes all internal components with the following exceptions: Exceptions include, but are not limited to wear items such as brake linings and drums, oil seals and bearings, which will be covered for a period of 12 months or 12,000 miles, whichever ever occurs first.

Failure to follow designated maintenance procedures and schedules, maintain required lubrication levels, or any form of operational abuse or misuse will void all warranty coverage expressed or implied.

Failure reporting and claims submission procedures are to be followed as outlined in the standard warranty guidelines

Service parts are manufactured to the same standards as production installed parts. However, since the installation thereof, as well as the age and condition of the receiving vehicle are beyond the control of Marmon-Herrington, Service Parts are warranted for a period of ninety (90) days or five thousand (5,000) miles whichever first occurs. All other regular warranty conditions apply.

On vehicles operating OVERSEAS, the determination of defects will be made at Marmon-Herrington Company, Louisville, Kentucky, from complete information supplied in writing by overseas distributors or recognized acting distributors. Complete information is defined to mean: vehicle serial number, user's name, date of delivery, mileage at time of breakage, date of breakage, type of service, nature of break or fault, distributor's recommendation (for our guidance only), and any other pertinent information. After determination of our obligation, any parts to be replaced will be shipped to distributor or acting distributor in accordance with his instructions.

This warranty is in lieu of all other warranties expressed or implied and of all other obligations or liabilities incurred by Marmon-Herrington. Marmon-Herrington neither assumes nor authorizes any other person to assume any other liability in connection with this sale, including but not limited to indirect or consequential damages.

This warranty shall not apply to any vehicle which shall have been repaired or altered in any way so as in our judgment, to affect its stability or reliability, nor which has been subject to misuse, negligence, or accident, nor which shall have been operated at a speed exceeding the factory rated speed or loaded beyond the factory rated load capacity or operated in violation of Marmon-Herrington's instructions.

Marmon-Herrington makes no warranty whatever on components of the original manufacturer's chassis not related

to the modification work. Also, no warranty is made on tires, rims, ignitions, or other parts usually warranted separately by their respective manufacturers.

The manufacturers reserve the right to make changes in design, and changes or improvements upon their product, without notice, and without incurring any obligation to install such changes or improvements upon their products theretofore manufactured.

This warranty shall become effective only when the Warranty Certificate has been returned to Marmon-Herrington and validated by the same.

In the case of vehicles operating in extreme conditions such as corrosive material mines, deep- water zones or areas of hostile aggression, the following warranty limitations apply:

Marmon-Herrington shall not be responsible for damage caused by chemical corrosion, internal water damage due to total immersion, or explosive impact. These conditions constitute severe duty and are not covered by Marmon-Herrington standard warranty.

WARRANTY REPAIR AND CLAIM PROCEDURE

Initial Failure Reporting

1. Operator must call Marmon-Herrington Customer Service prior to performing any repairs and receive a Repair Authorization Number to be eligible for reimbursement. The work authorization number does not guarantee payment but is an acknowledgement that the vehicle is within the warranty period in terms of date and mileage, and that a claim has been activated. **It will be the responsibility of the operator to ensure that their repair facility is aware of, and complies with, the guidelines of this policy.**
2. To expedite the authorization process, you will need the Sales Order Number or "S" number found on the component I.D. tag. You will also need the Vehicle Identification Number or the last six digits of the "VIN", the date the vehicle was placed in service, and the current mileage. Please note the following:
 - This Warranty Registration should have been submitted at the time of delivery. If our records do not include a warranty registration, you must complete one before any authorization for repair can be issued. We will make them available by mail or fax upon request.
3. Marmon-Herrington will pre-approve .5 hours diagnosis/inspection time prior to your call for repair authorization. If the the diagnosis/inspection complaint does not reveal a warrantable failure, or result in a warrantable repair, the customer will be responsible for all charges including diagnosis/inspection time.
4. The Operators Manual contains information covering proper equipment use and maintenance schedules. Operators must adhere to these guidelines to be eligible for reimbursement, and service records must be provided upon request.

Pre-Repair Requirements

1. Authorization for repairs will require a written estimate/repair order of costs after determination that a warrantable condition is found to exist.

2. Estimates must contain the following information:
 - A list of all parts necessary for specific job and if applicable, all parts that will be invoiced back to Marmon-Herrington.
 - The cost of disassembly, inspection and diagnosis of any portion of the vehicle to determine extent of repairs needed.
 - Current labor costs, reflecting both hourly rate and number of hours to effect repairs must be listed.
 - Miscellaneous charges such as “shop supplies” must be defined. Actual dollar amounts must be listed, as percentages will not be accepted.
 - Sublet repairs must also be defined and included in the estimate at their actual dollar amount.
 - NOTE: If it becomes necessary to exceed the original estimate in terms of parts or labor, the repair facility must call Marmon-Herrington Customer Service for additional authorization.
3. Only the use of Marmon-Herrington supplied parts will constitute reimbursement unless prior approval has been obtained.

Parts Ordering

While Marmon-Herrington operates a full Service Parts Department, replacement parts needed to effect Warranty repairs must be acquired through Customer Service to be eligible for reimbursement.

Post Repair Requirements

The final invoice or work order must include the following:

- Customer’s name, address, and phone number.
- The Vehicle Identification number.
- The Sales Order Number or “S” number, which the customer can provide or can be located on the I.D. tag, fixed to the transfer case or axle.
- The Axle or Transfer Case Model and Serial Number, also located on the I.D. tag.
- Mileage In / Mileage Out.
- The Cause and Correction of the repair including detailed description of repairs and parts replaced.
- The date the repair order was open and the date the repairs were completed.
- The Work Authorization Number obtained from Customer Service.

Notes to Repair Facilities

1. Miscellaneous charges such as “shop supplies” must be listed as separate line items and shown on the final invoice as stated in “Pre-Repair Requirements.” Invoices for sublet repairs must be made available upon request.
2. All repairs must comply with any or all state and DOT requirements.
3. Downtime of vehicle and incurred costs associated due to the delay of parts shipments or any other condition beyond our control is not reimbursable and should not be listed on the invoice.
4. All failed parts that are required to be returned to Marmon-Herrington must be received before payment will be made. The Return Authorization will be sent with the replacement parts when shipped from Marmon-Herrington.
5. All Claims must be submitted within 60 days of completion of repairs to be eligible for reimbursement.

For Work Authorization call: (800) 227-0727, Ext. 282
 To Submit Claims by Fax: (502) 253-0317

Submit Claims by Mail to:

Marmon-Herrington Company, Customer Service Department,
 13001 Magisterial Drive, Louisville, KY 40223.

REPLACEMENT PARTS

When ordering replacement parts for **MARMON-HERRINGTON** installations, the following information should be given:

1. **FACTORY ORDER NUMBER** (found on I.D. Plate or small plate affixed to axle housing). This will be a six (6) digit number. (See illustrations this page.)
2. Component for which parts are required, i.e. front drive axle or transfer case/drop box.
3. Model of axle and/or transfer case/drop box, i.e. MT10, MVG 750, MDB500.
4. Give quantity and part number required. **NOTE:** Drivelines, shift linkage, etc., can be found on the computer printout of Bill of Material, which is included in the Service Manual.
5. Give complete billing and shipping address.

CALL IN PROCEDURE

Before proceeding with repairs or ordering parts that you feel may be covered under warranty, you must first contact Marmon-Herrington Customer Service Department to obtain a Repair Authorization Number.

(800) 227-0727, Ext. 282 8am-5pm EST
 (502) 693-1129 5pm-8pm EST

Please be prepared to supply the following information:

Factory Order Number or “S-Number” This is located on an I.D. plate fixed to either the driver’s door panel or the component (axle or transfer case) itself. This plate will also show the component’s model and serial number. Example: S-7777-05

Component Model and Serial Number

Vehicle Year, Make and Model

Vehicle Identification Number

Mileage


In Service Date

Please refer to our website (www.marmon-herrington.com) for the latest versions of our parts and service manuals, as well as new products and contact information.

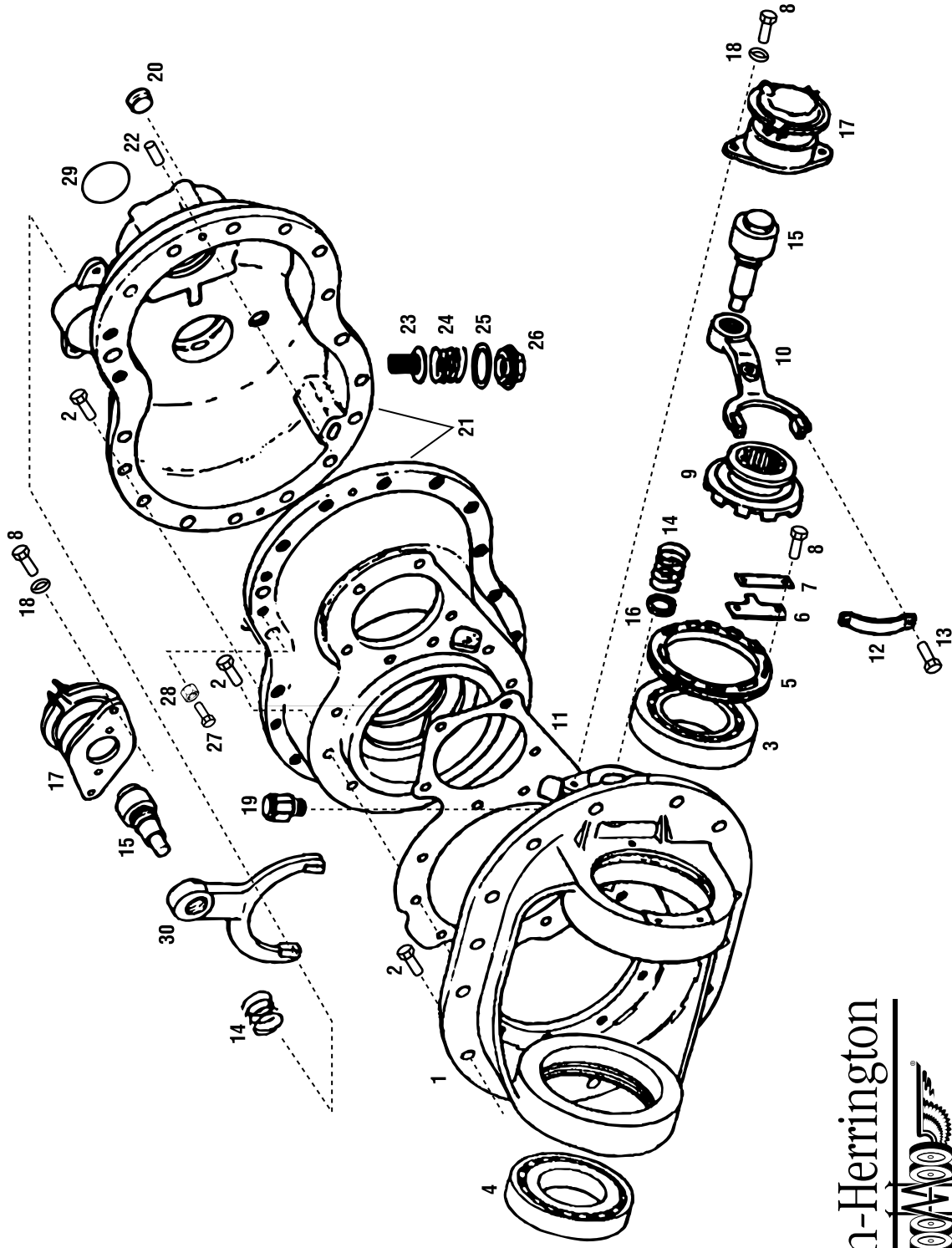
The information necessary for replacement parts and/or warranty claim procedures will be found on either plate design.

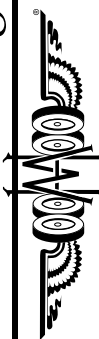
MARMON-HERRINGTON	
SALES ORDER	0000-00
RATIO	
S/N	
TYPE	
CUST P/N	

MARMON-HERRINGTON	
SALES ORDER	0000-00
S/N	
TYPE	
CUST P/N	
COVERED BY ONE OR MORE OF THE FOLLOWING PATENTS: U.S. PATENTS 4,878,691; 4,934,733; 5,016,912; 5,275,430; 5,839,750; AND 6,398,251; AND CA PATENT 1,316,185. OTHER U.S. AND FOREIGN PATENTS PENDING.	

 ALL-WHEEL DRIVE LOUISVILLE, KENTUCKY U.S.A.	
FACTORY ORDER NO.	0000-00
INSTALLED BY	
FRONT DRIVING AXLE	
MODEL	
CAPACITY	
SERIAL NO.	
RATIO	
TRANSFER CASE	
MODEL	
SERIAL NO.	

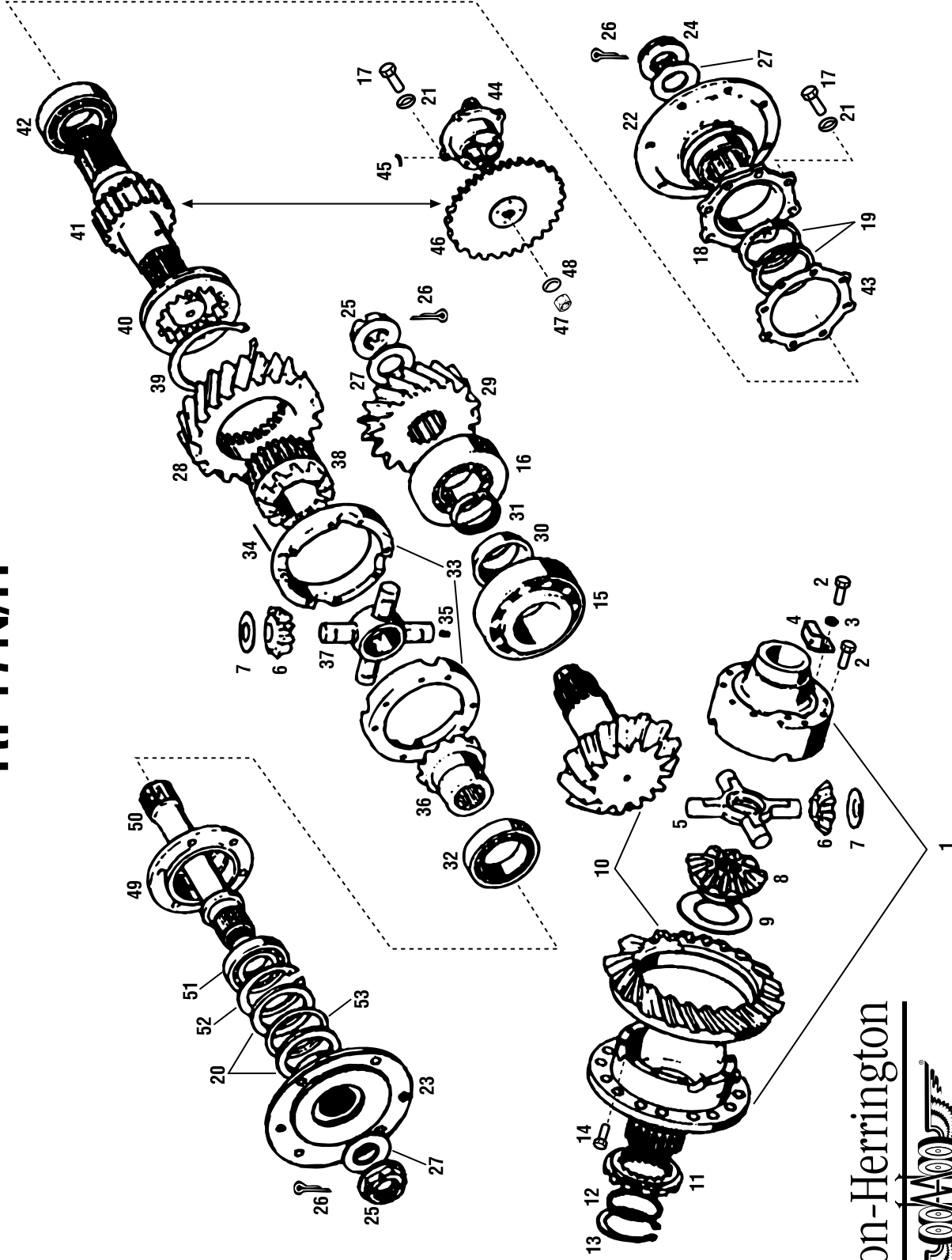
DIFFERENTIAL CARRIER HOUSING RF17N/H



Marmon-Herrington


COMPLETE CARRIER ASSEMBLY				QTY. REQ.
CARRIER P/N	DESCRIPTION	FINAL RATIO		
RF22-1001	Carrier Assembly	4.25		
RF22-1002	Carrier Assembly	4.56		
RF22-1003	Carrier Assembly	4.92		
RF22-1004	Carrier Assembly	5.29		
RF22-1010	Carrier Assembly	5.38		
RF22-1005	Carrier Assembly	5.65		
RF22-1013	Carrier Assembly	6.11		
RF22-1006	Carrier Assembly	6.27		
RF22-1007	Carrier Assembly	6.68		
RF22-1008	Carrier Assembly	7.14		
ITEM NO.	MH PART NO.	DESCRIPTION	QTY. REQ.	
1	RF22-1039	Differential Carrier Housing	1	
2	MT22-1077	Flanged Bolt, Special	46	
3	MT22-1078	Taper Roller Bearing	1	
4	MT22-1212	Taper Roller Bearing	1	
5	MT22-1029	Bearing Adjuster	2	
6	MT22-1080	Adjuster Lock Plate	2	
7	MT22-1081	Lock Plate	2	
8	11500773	Hex Bolt, M8x16	8	
9	R22-1011	Toothed Hub	1	
10	R22-1012	Shift Fork	1	
11	R22-1049A	Shim 0.20 MM	AR	
	R22-1049B	Shim 0.25 MM	AR	
	R22-1049C	Shim 0.30 MM	AR	
	R22-1049D	Shim 0.50 MM	AR	
	R22-1049E	Shim 1.00 MM	AR	
12	R22-1014	Clevis	1	
13	11504971	Hex Bolt, M5x12	2	
14	R22-1015	Spring	2	
15	R22-1016	Push Rod	2	
16	R22-1017	Washer	AR	
ITEM NO.	MH PART NO.	DESCRIPTION	QTY. REQ.	
17	R22-1021	Differential Lock Actuating Air Chamber Assy.	2	
18	11500191	Flat Lock Washer	4	
19	MT14-1068	Vent Valve	1	
20	MT14-1070	Taper Screw Plug	1	
21	R22-1040	Differential Carrier Housing Assy.	1	
22	R22-1041	Dowel Pin	2	
23	R22-1042	Oil Filter	1	
24	R22-1043	Spring For Oil Filter	1	
25	R22-1044	Gasket	1	
26	R22-1045	Magnetic Screw Plug	1	
27	11500779	Hex Bolt, M10x40	1	
28	11500956	Hex Nut	1	
29	R22-1084	O-Ring	1	
30	R22-1048	Shift Fork	1	
		AR = As Required		

TANDEM DIFFERENTIAL RF17N/H



Marmon-Herrington

ITEM NO.	MH PART NO.	DESCRIPTION	QTY. REQ.	ITEM NO.	MH PART NO.	DESCRIPTION	QTY. REQ.
1	RF22-1050	Differential Case Halves, Assy.	1	31*	MT14-1077A	Bearing Distance Ring, 6.90 MM	AR
2	MT22-1066	Hex Bolt, M10x1.25	12		MT14-1077B	Bearing Distance Ring, 7.00 MM	AR
3	MT22-1065	Washer	2		MT14-1077C	Bearing Distance Ring, 7.02 MM	AR
4	RF22-1051	Oil Baffle Plate	2		MT14-1077D	Bearing Distance Ring, 7.04 MM	AR
5	MT22-1061	Differential Cross	1		MT14-1077E	Bearing Distance Ring, 7.06 MM	AR
6	MT22-1062	Differential Pinion	8		MT14-1077F	Bearing Distance Ring, 7.08 MM	AR
7	MT22-1063	Differential Pinion Washer	8		MT14-1077G	Bearing Distance Ring, 7.10 MM	AR
8	RF22-1093	Differential Gear	2		MT14-1077H	Bearing Distance Ring, 7.20 MM	AR
9	MT22-1059	Differential Side Washer	2		MT14-1077I	Bearing Distance Ring, 7.32 MM	AR
10	MT22-1054	Ring Gear and Pinion (1.227) 4.25	1		MT14-1077J	Bearing Distance Ring, 7.44 MM	AR
	MT22-1053	Ring Gear and Pinion (1.318) 4.56	1		MT14-1077K	Bearing Distance Ring, 7.56 MM	AR
	MT22-1056	Ring Gear and Pinion (1.422) 4.92	1		MT14-1077L	Bearing Distance Ring, 7.68 MM	AR
	MT22-1057	Ring Gear and Pinion (1.526) 5.29	1		MT14-1077M	Bearing Distance Ring, 7.80 MM	AR
	MT22-1043	Ring Gear and Pinion (1.553) 5.38	1		MT14-1077N	Bearing Distance Ring, 7.92 MM	AR
	MT22-1055	Ring Gear and Pinion (1.632) 5.65	1	32	RF22-1060	Taper Roller Bearing	1
	MT22-1046	Ring Gear and Pinion (1.765) 6.11	1	33	RF22-1061	Differential Case Half	1
	MT22-1058	Ring Gear and Pinion (1.812) 6.27	1	34	11500871	Hex Bolt, M8x40	8
	MT22-1040	Ring Gear and Pinion (1.929) 6.68	1	35	RF22-1059S	Grub Screw, M6x10	4
	MT22-1041	Ring Gear and Pinion (2.077) 7.14	1	36	RF22-1096	Differential Gear I	1
11	R22-1019	Clutch Ring	1	37	RF22-1059	Differential Cross	1
12	R22-1020	Spacer Ring	1	38	RF22-1097	Differential Gear II	1
13	R22-1027	Snap Ring	1	39	RF22-1098	Snap Ring	1
14	RF22-1250	Self-Lock Flange Bolt	16	40	RF22-1065	Toothed Hub	1
15	MT14-1075	Taper Roller Bearing	1	41	RF22-1099	Input Shaft	1
16	MT14-1079	Taper Roller Bearing	1	42	RF22-1067	Taper Roller Bearing	1
17	11500724	Hex Bolt, M10x30	12	43	RF22-1068A	Shim 0.20 MM	AR
18	RF22-1052	Cap	1		RF22-1068B	Shim 0.25 MM	AR
19	MT22-1069	Oil Seal Kit	1		RF22-1068C	Shim 0.30 MM	AR
20	RF22-1053	Oil Seal Kit	1		RF22-1068D	Shim 0.50 MM	AR
21	11500192	Flat Lock Washer	12		RF22-1068E	Shim 1.00 MM	AR
22	RF22-1054	Companion	1		RF22-1068F	Shim 1.50 MM	AR
23	RF22-1055	Companion Flange 1710	1		RF22-1068G	Shim 2.00 MM	AR
24	RF22-1094	Flanged Castle Nut	1	44	RF22-1077	Oil Pump	AR
25	MT14-1082	Flanged Castle Nut, M42x1.5	2	45	RF22-1069	Woodruff Key	1
26	103424	Cotter Pin	3	46	RF22-1070	Toothed Disk	1
27	MT22-1074	Washer	3	47	RF22-1100	Hex Nut	1
28	RF22-1056	Spur Gear	1	48	RF22-1072	Adjuster Lock Plate	1
29	RF22-1058	Drive Gear	1	49	RF17-1053	Bearing Cage	1
30	MT14-1076	Pinion Bearing Spacer Sleeve	1	50	RF22-1073A	Through Shaft	1
				51	RF22-1101	Deep Groove Ball Bearing	1
				52	RF22-1075	Lock Ring	1
				53	RF22-1076	Pinion Bearing Spacer	AR

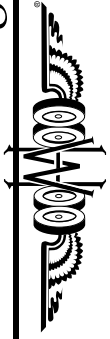
AR = As Required *Note: Choose 2 to produce proper bearing preload.

TANDEM DIFFERENTIAL — RF17NH

OIL PUMP RF17N/H



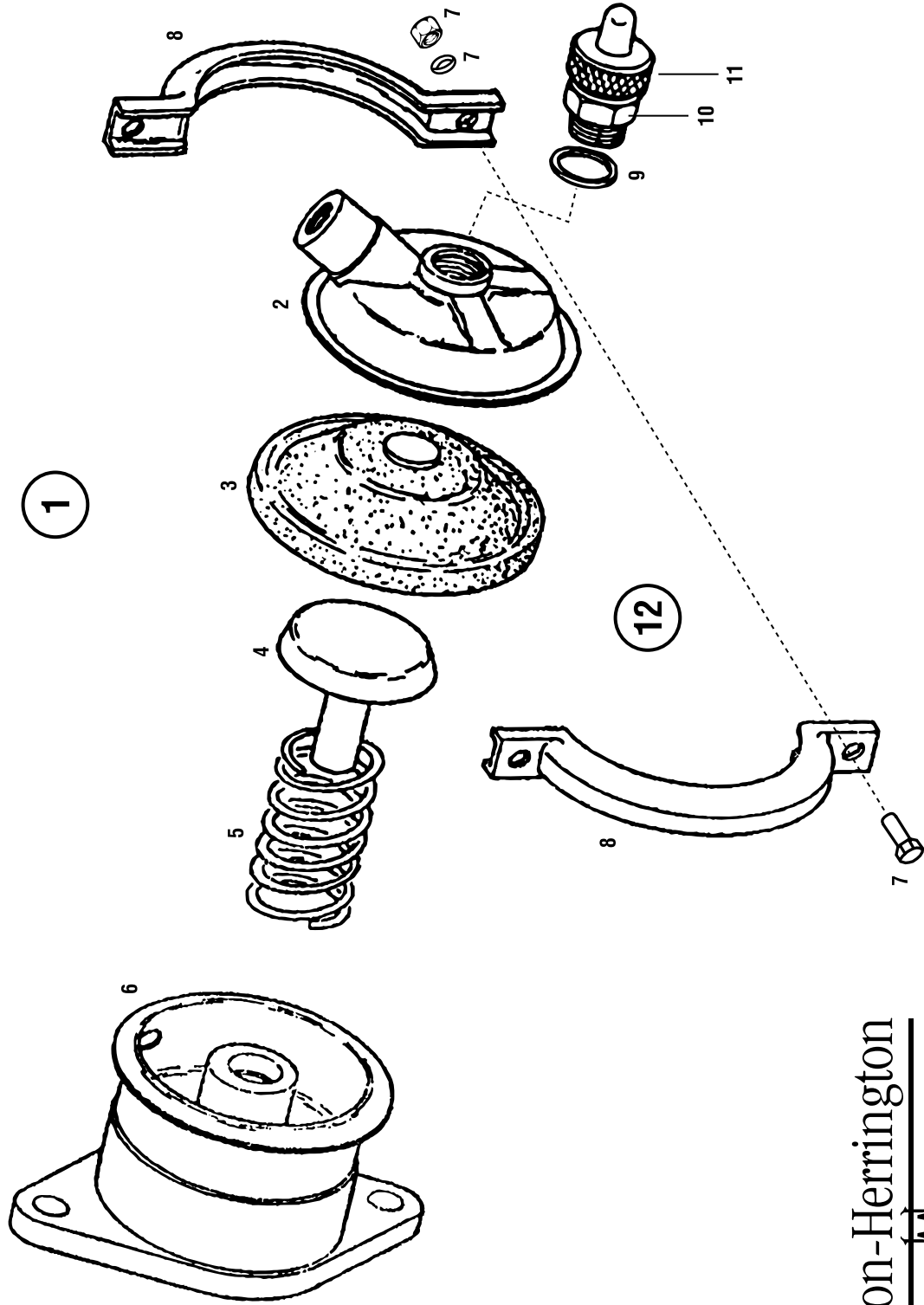
Marmon-Herrington



ITEM NO.	MH PART NO.	DESCRIPTION	QTY. REQ.	ITEM NO.	MH PART NO.	DESCRIPTION	QTY. REQ.
1	RF22-1077	Oil Pump Assy. (Includes Item #'s 2-17)	1				
2		Oil Pump Cover II Assy.	1				
3		Steel Ball	1				
4		Oil Pressure Adjusting Spring	1				
5		Sealing Ring	1				
6		Flanged Screw Plug	1				
7		Bush	3				
8		Oil Pump Drive Gear	1				
9		Oil Pump Drive Gear	1				
10		Dowel Pin	4				
11		Oil Pump Case	1				
12		Oil Pump Cover I Assy.	1				
13		Flat Lock Washer	4				
14		Hex Bolt, M6x50	4				
15		Sealing Ring	1				
16		Flanged Screw Plug	1				
17		Bush	AR				
		AR = As Required					

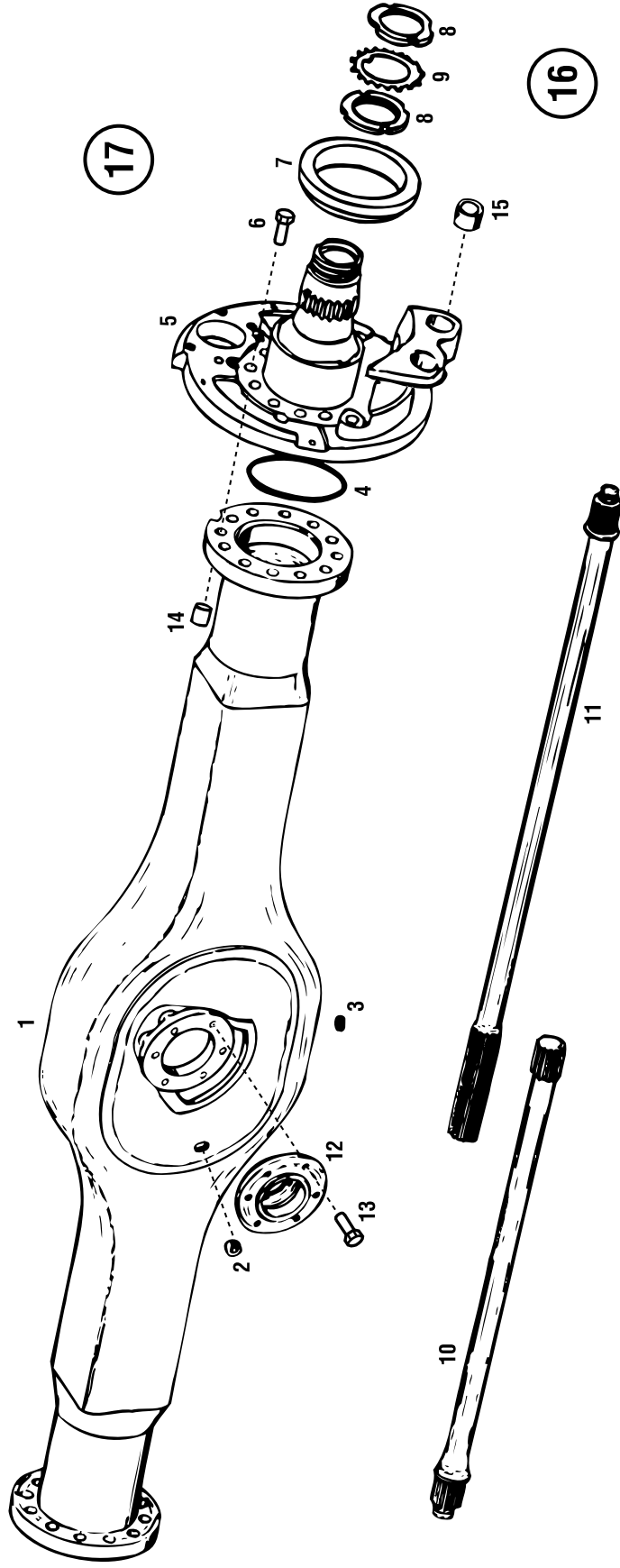
**OIL PUMP
RF17N/H**

DIFFERENTIAL LOCK AIR CHAMBER RF17N/H

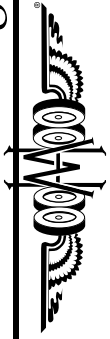


Marmon-Herrington

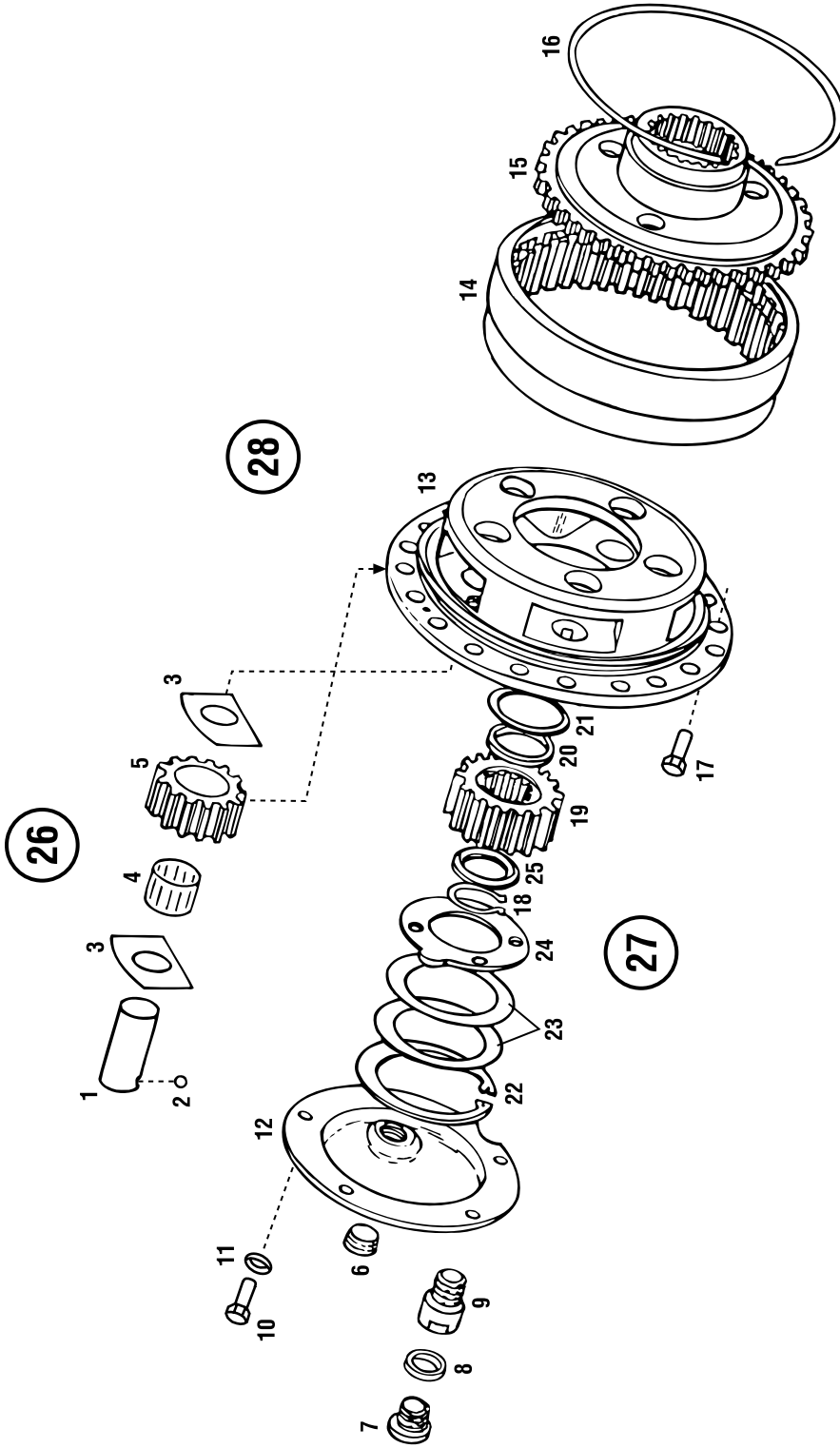

AXLE HOUSING & AXLE SHAFT RF17N/H



Marmon-Herrington



PLANETARY RF17N/H

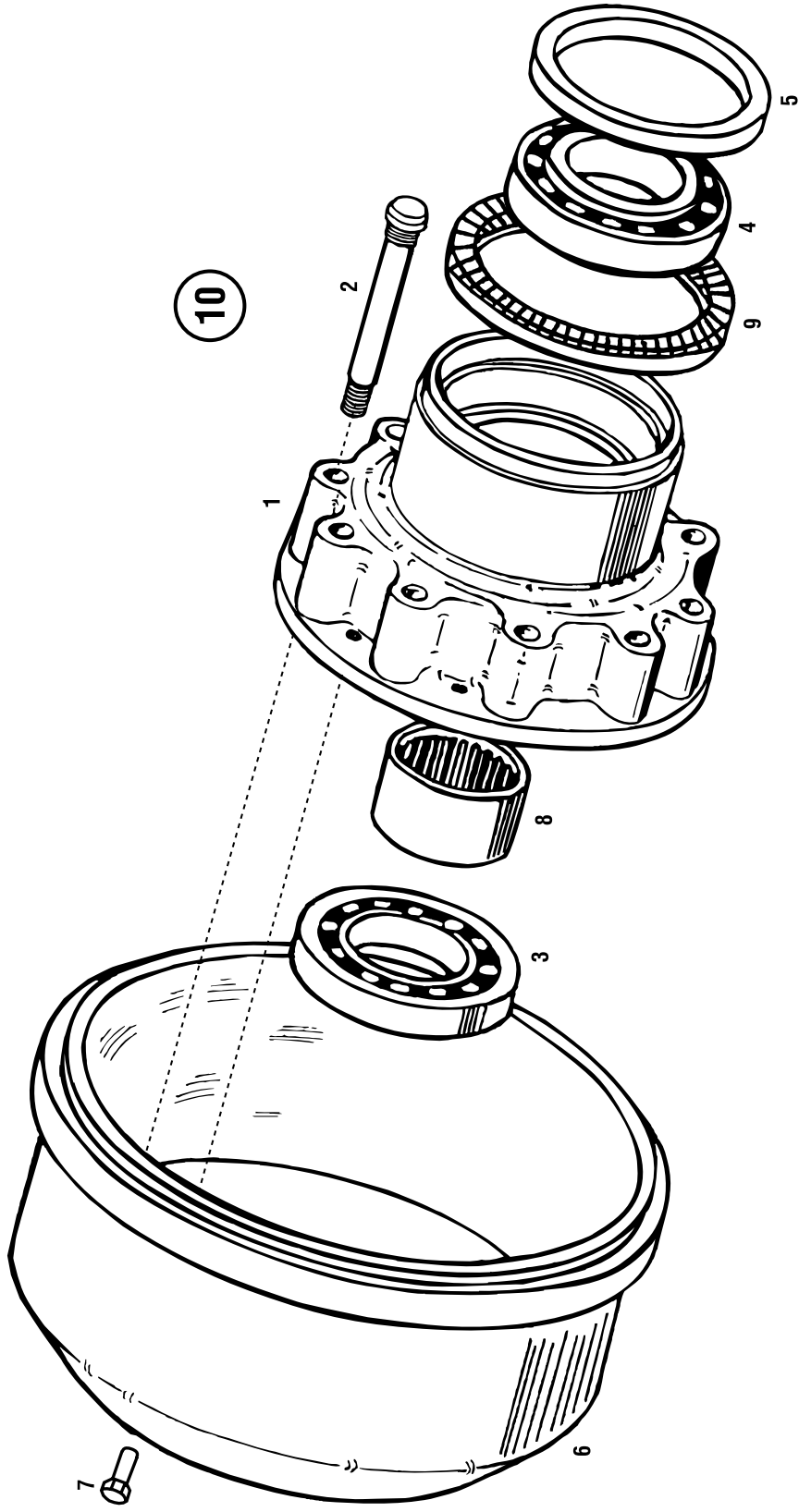


Marmon-Herrington


ITEM NO.	MH PART NO.	DESCRIPTION	QTY. REQ.	ITEM NO.	MH PART NO.	DESCRIPTION	QTY. REQ.
1	MT14-1217	Planet Gear Pin	10	26	MT14-1223	Planet Gear Kit	2
2	MT14-1218	Steel Ball	10	27	MT17-1235	(Includes Item #'s 1,2,3,4,5) Sun Gear/Friction Disc Kit	2
3	MT14-1219	Distance Plate	20				
4	MT14-1220	Roller Bearing Assembly	10	28	MT17-1227 MT92-1227	(Includes Item #'s 18,19,20,21,22,23,24,25) Planetary Gear Carrier Assy. (285 BC)	2
5	MT14-1028	Planet Gear	10				
6	MT14-1070	Fill Plug, Planetary Hub	2			(Includes Item #'s 13 and 26) Planetary Gear Carrier Assy. (335 BC)	2
7	MT17-1213	Drain Plug, Planetary Hub	2				
8	MT14-1212	Sealing Ring	2				
9	MT14-1211	Threaded Stud	2				
10	11500773	Hex Bolt, M8x16-1.25 (285 BC)	10				
	11500723	Hex Bolt, M10x20-1.5 (335 BC)	10				
11	11500191	Lock Washer, M8 (285 BC)	10				
12	MT14-1029	End Cover (285 BC)	2				
	MT22-1156	End Cover (335 BC)	2				
13	MT17-1128	Planetary Gear Carrier (285 BC)	2				
	MT92-1161	Planetary Gear Carrier (335 BC)	2			AR = As Required	
14	MT14-1025	Planetary Ring Gear	2				
15	MT14-1026	Ring Gear Support Hub	2				
16	MT14-1207	Retaining Ring	2				
17	11500722	Hex Bolt, M10x25-1.5	12				
18	MT22-1154	Snap Ring	2				
19	MT14-1024	Sun Gear	2				
20	MT17-1156	Distance Ring	2				
21	MT17-1157	Friction Disc	2				
22	MT14-1084	Snap Ring	2				
23	MT22-1158A	Shim, .25 MM	AR				
	MT22-1158B	Shim, .50 MM	AR				
	MT22-1158C	Shim, 2.00 MM	AR				
24	MT22-1159	Friction Disc	2				
25	MT22-1153	Spacer	2				

**PLANETARY
RF17N/H**

WHEEL HUB, BRAKE DRUM RF17N/H

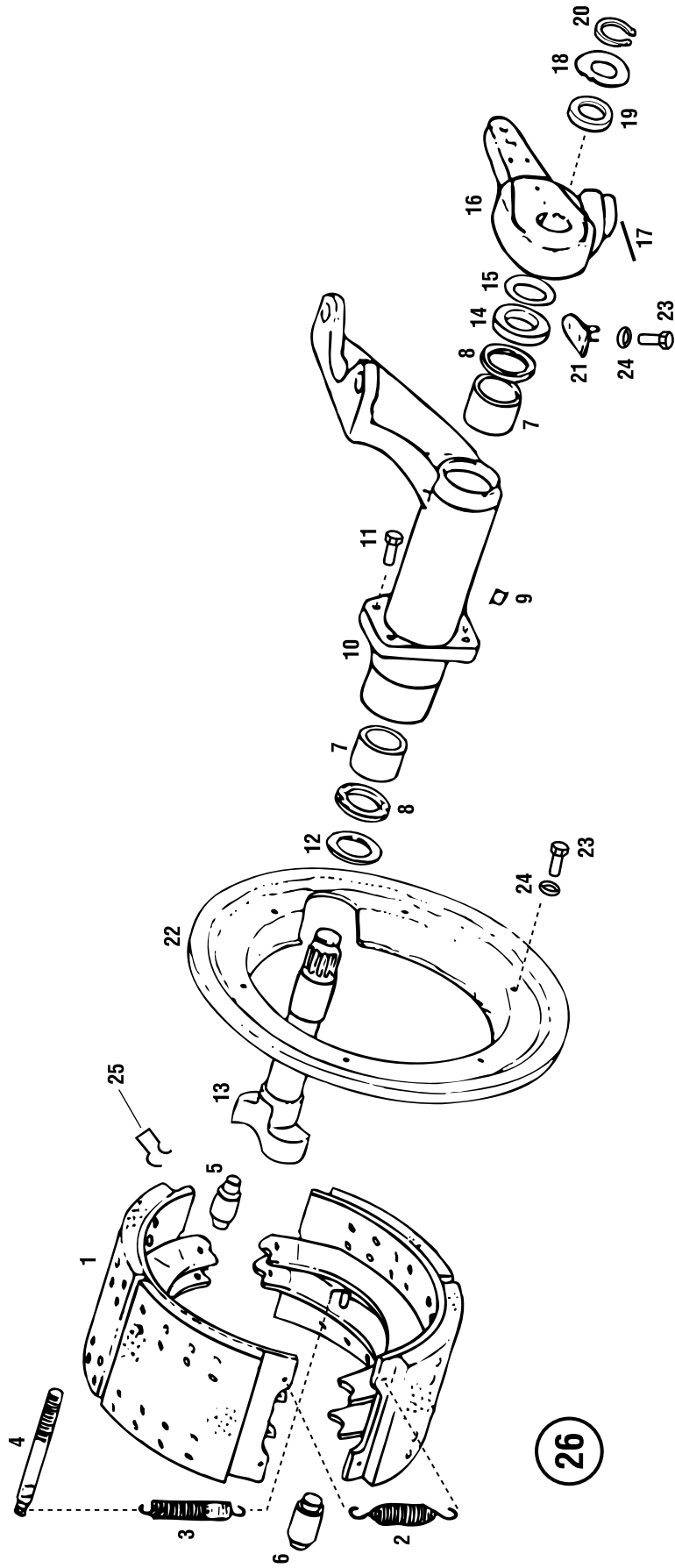


Marmon-Herrington


ITEM NO.	MH PART NO.	DESCRIPTION	QTY. REQ.	ITEM NO.	MH PART NO.	DESCRIPTION	QTY. REQ.
1	MT17-1229	Wheel Hub Assembly, Left (MT17N)	1				
	MT17-1230	Wheel Hub Assembly, Right (MT17N)	1				
	MT17-1231	Wheel Hub Assembly (MT17H)	1				
	MT92-1168	Wheel Hub Assembly (H) (335 BC)	2				
2	MT17-1026	Wheel Bolt, Left	10				
	MT17-1027	Wheel Bolt, Right	10				
	T15372	Nut, L.H.	10				
	T15371	Nut, R.H.	10				
	MT93-1251	Wheel Stud (ISO) Hub Mount (MT17H)	20				
	MT92-1134	Wheel Stud (HX) (335 BC)	20				
	MT93-1197	Flange Nut (ISO)	20				
	MT93-1631	Wheel Stud (ISO) Aluminum Wheel (MT17HX)	20				
	MT93-1838	Flange Nut (ISO) Aluminum Wheel (MT17HX)	20				
3	MT14-1206	Taper Roller Bearing	2				
4	MT14-1202	Taper Roller Bearing	2				
5	MT14-1201	Oil Seal	2				
6	MT92-1016	Brake Drum (335 BC)	2				
	MT17-1016W	Brake Drum (285 BC)	2				
7	11500725	Hex Bolt, M10x35-10.9	8				
8	MT14-1204	Distance Sleeve	2				
9	MT75-9625	Exciter Ring (ABS)	2				
10	MT17-1234	Wheel Bearing Kit (Includes Item #'s 3,4,5)	2				
		AR = As Required					

**WHEEL HUB, BRAKE DRUM
 RF17N/H**

BRAKE RF17N/H



Marmon-Herrington


ITEM NO.	MH PART NO.	DESCRIPTION	QTY. REQ.	ITEM NO.	MH PART NO.	DESCRIPTION	QTY. REQ.
1	MT22-1164	Brake Shoe Assembly	4				
2	MT22-1255	Brake Shoe Kit (Includes Item #26)	2				
3	MT22-1177	Brake Shoe Spring (Long)	4				
4	MT14-1157	Brake Shoe Return Spring (Short)	4				
5	MT14-1158	Spring Support Pin	4				
6	MT22-1178	Brake Shoe Roller	4				
7	MT22-1243	Brake Shoe Pin	4				
8	MT22-1180	Bushing	4				
9	MT22-1179	Oil Seal	4				
10	191758	Ball Grease Fitting (1/8)	2				
11	R92-1140	Brake Chamber Housing	1				
12		(Includes Item #'s 7,8,9)					
13	R92-1141	Brake Chamber Housing	1				
14		(Includes Item #'s 7,8,9)					
15	MT22-1183	Hex Flanged Bolt	8				
16	MT14-1145	Spacer	2				
17	R92-1146	Cam Shaft	1				
18	R92-1147	Cam Shaft (Not Shown)	1				
19	MT22-1201	Spacer	2				
20	MT11-1105	Shim, 0.5 MM	AR				
21	R22-1205	Automatic Slack Adjuster, L.H.	1				
22	R22-1206	Automatic Slack Adj., R.H. (Not Shown)	1				
23	MT22-1246	Adjusting Cap, L.H.	1				
24	MT22-1247	Adjusting Cap, R.H.	1				
25	MT22-1187	Wear Indicating Washer	2				
26	MT17-1142	Washer	2				
27	MT22-1186	Snap Ring	2				
28	MT22-1239	Stop, L.H.	1				
29	MT22-1240	Stop, R.H.	1				
30	MT22-1176	Brake Cover Plate	2				
31	11500773	Hex Bolt, M8x16	16				
32	11500191	Flat Lock Washer	16				
33	MT22-1242	Roller Spring (Optional)	4				
34	MT22-1251	Spring and Roller Kit	2				
		(Includes Item #'s 2,3,5,6 and 25)					
		AR = As Required					

Marmon-Herrington



13001 Magisterial Drive • Louisville, KY 40223
(502) 253-0277 • (800) 227-0727 • Fax (502) 253-0317
E-mail: info@marmon-herrington.com

Driving power since 1931.

Marmon-Herrington



13001 Magisterial Drive

Louisville, KY 40223

1-800-227-0727

www.marmon-herrington.com